

Introduction

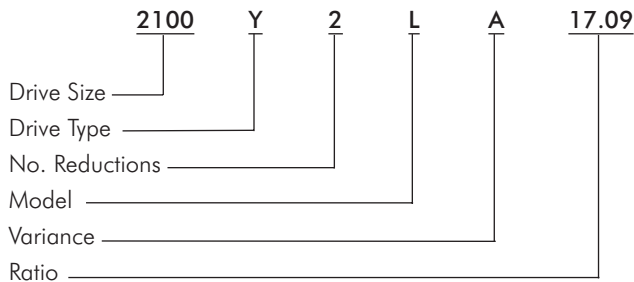
This parts guide is designed to assist in ordering replacement parts for standard Type Y and YT (Models A, B, K, or L) double reduction gear drives (ratios 8.40 thru 47.08). Consult Rexnord for special or modified drives.

- IDENTIFY DRIVE** — Record Drive Model, Ratio, and M.O. Number from nameplate.

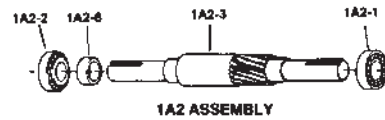
Sample Nameplate

FALK®		ENCLOSED GEAR DRIVE	
MODEL 2100Y2L			
M.O. 8-965000		RATIO 17.09	
INPUT RPM 1750		SERVICE RATING HP 200	
OUTPUT RPM 102		SERVICE FACTOR 1.45	
CLASS	DATE 6/89	APPROX U.S. GALS	16
<small>www.rexnord.com</small>		<small>1220915</small>	

Gear Drive Identification



- IDENTIFY INDIVIDUAL PARTS** — Use exploded view on Page 2 to determine Ref. No. of required parts.



Ref. No.	Part Description
1A2-1	Bearing
1A2-2	Bearing
1A2-3	Pinion & Shaft
1A2-6	Spacer

NOTE: Replace seals, shims, and gaskets whenever reassembling a drive. Shim-gaskets are available only in kits; see Ref. No. 100.

- HOW TO USE THIS GUIDE** — Use the Part Ref. No. (Step 2) and the drive Model No. (Step 1) to determine the part description and use this information to order the required parts.
- ORDER REPLACEMENT** — Place your order with your local Rexnord Account Executive or Distributor. If you need assistance call the number below.

Bearing & Seal Identification

Refer to the exploded views on Page 2 to identify the bearings and oil seals by the parts list Reference Number. Then refer to Tables 2 thru 5, Page 4, to determine the Manufacturer and Manufacturer's part number.

Corrosion Protection & Storage

CAUTION: Follow guidelines below to avoid damage to parts.

- For domestic or indoor storage, Factory provides standard 24 month protection as boxed or optional 24 month protection for individual parts.
- For export or outdoor storage, Factory provides optional 18 month protection.

CAUTION: This protection does not cover exposure to elements such as standing water, etc.

Parts Diagram

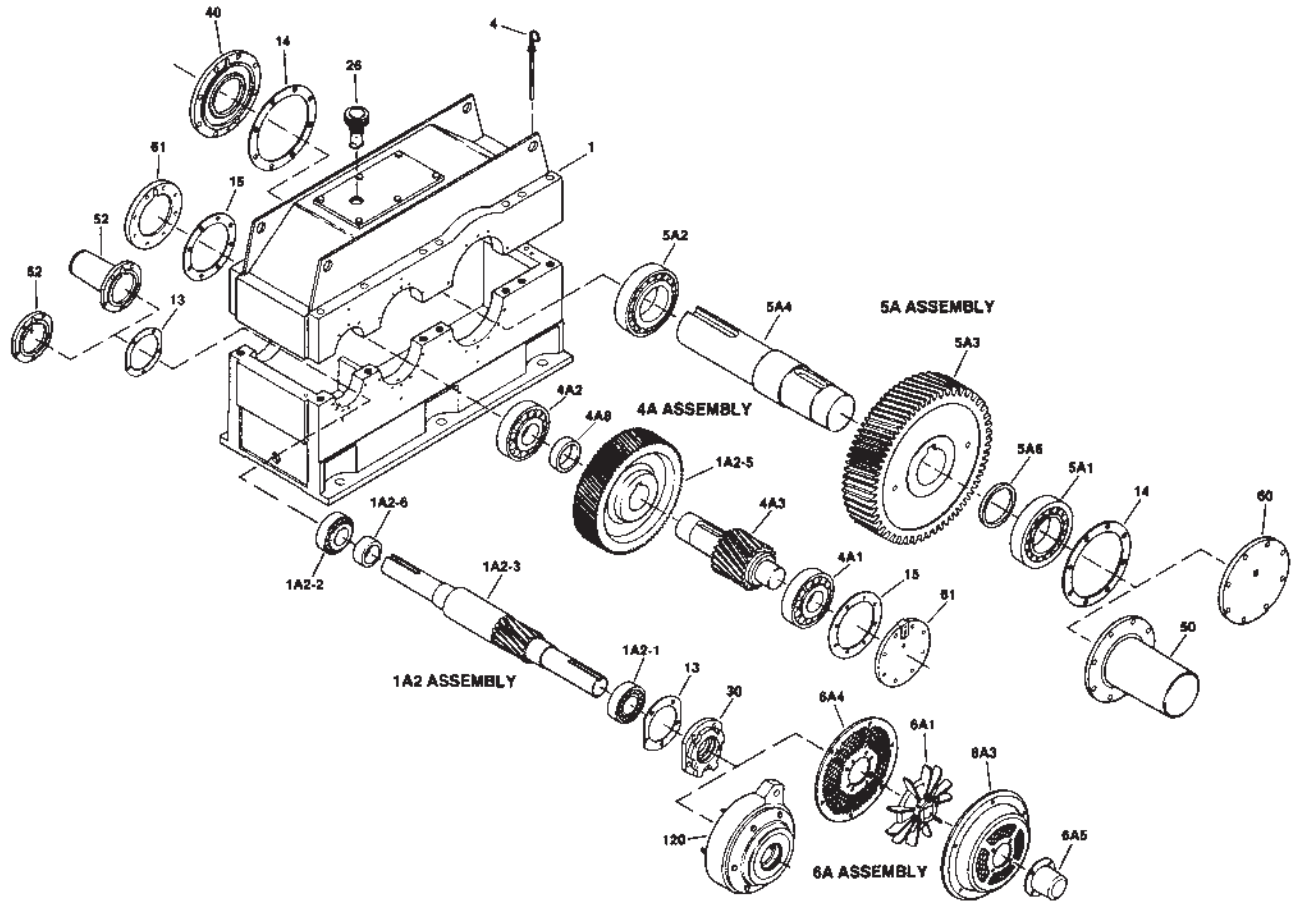
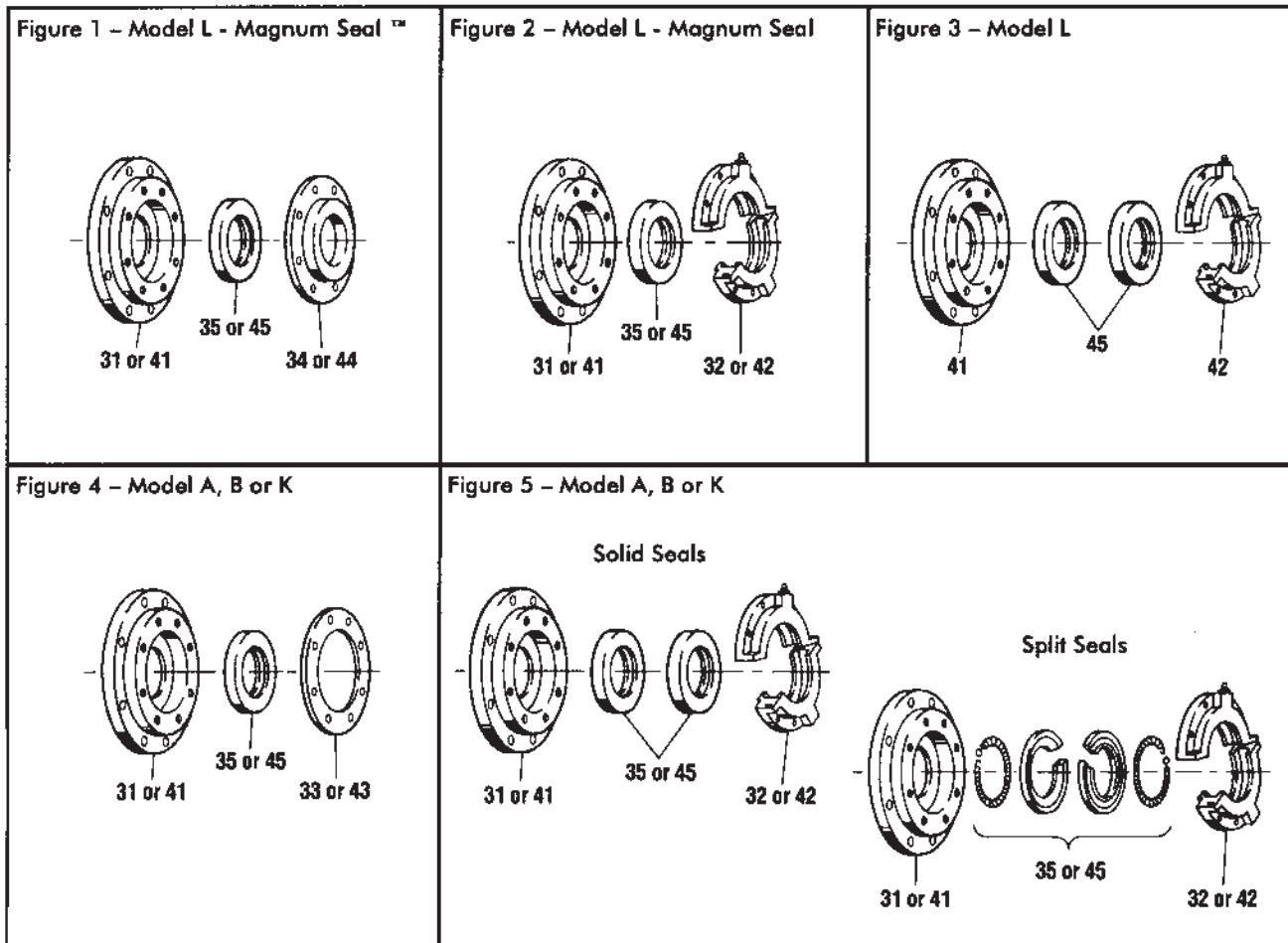


TABLE 1 — Parts List

Ref. No.	Part Description
1	Housing (Consists of Base, Cover and all Hardware)
4	Dipstick
13	Shim-Gasket
14	Shim-Gasket
15	Shim-Gasket
26	Air Vent
30	H.S. Seal Cage Assembly
31 thru 35	H.S. Seal Cage Parts
40	L.S. Seal Cage Assembly
41 thru 45	L.S. Seal Cage Parts
50	Shaft Guard (Optional)
52	Shaft Guard (Optional)
60	Shaft Cover
61	Shaft Cover
62	Shaft Cover
100	Shim-Gasket Kit, Incls Ref. #13, 14 & 15
120	Backstop (Optional)

Ref. No.	Part Description
1A2	Shaft Assembly – Incls. Ref. 1A2-1 thru 1A2-6, except 1A2-5
1A2-1	Bearing
1A2-2	Bearing
1A2-3	Pinion & Shaft
1A2-6	Spacer, Included with 1A2-3 as required
4A	Shaft Assembly – Incls. Ref. 4A1 thru 4A8 & 1A2-5
4A1	Bearing
4A2	Bearing
4A3	Pinion & Shaft
4A8	Spacer, Included with 4A3
1A2-5	Gear
5A	Shaft Assembly – Incls. Ref. 5A1 thru 5A6
5A1	Bearing
5A2	Bearing
5A3	Gear
5A4	Shaft
5A6	Spacer, Included with 5A4
6A	Fan Assembly – Incls. Ref. 6A1 thru 6A4
6A1	Fan
6A3	Guard
6A4	Grill
6A5	Shaft Guard (Optional)

Reference Numbers 30 & 40 Seal Assemblies



H.S. Seal Cage Parts

Ref. No.	Part Description
30	Seal Cage Assembly, Incls. Ref. Nos. Shown Above
31	Inner Seal Cage
32	Grease Purge Cage (Split)
33	Baffle Ring
34	Grease Purge Cover
35	Seal

L.S. Seal Cage Parts

Ref. No.	Part Description
40	Seal Cage Assembly, Incls. Ref. Nos. Shown Above
41	Inner Seal Cage
42	Grease Purge Cage (Split)
43	Baffle Ring
44	Grease Purge Cover
45	Seal

TABLE 2 — Bearings/Falk™ Part Numbers

DRIVE SIZE	Reference No.				
	1A1-1 1A2-2	4A1	4A2	5A1 & 5A2	
				Type Y	Type YT
2050	921533	921492	921492	921530	...
2060	921534	921492 †	921492	921309	...
2070	921492	921447 ‡	921447 ‡	921352	...
2080	921526	921494	921529	921310	...
2090	921490	921734 ●	921734 ●	921414	...
2100	921458	921489	921489 ■	921436	...
2110	921529	921448	921448	921422	919080
2120/2125	921489	921542	921542	921311	919282
2130/2135	921531	921459	921459	921439	919087
2140/2145	921542	921463	921463	919073	919074
2150/2155	919115	919113	919113	919077	919103
2160/2165	919668	919108	919108	919078	919079
2170/2175	919111	919110	919110	919284	919285
2180/2185	919113	919112	919112	919106	919107
2190/2195	919108	919114	919114	919096	919097

† Models B and K = 921623.

‡ Model A = 921490.

● Model A = 921529.

■ Model A = 921531.

TABLE 3 — Bearing Manufacturer's Part Numbers

Falk™ No.	SKF No.	Falk™ No.	Timken No.
919073	22238C/C3-W33	921309	755/752
919074	23238C/C3-W33	921310	861/854
919077	22240C/C3-W33	921311	99600/99100
919078	22244C/C3-W33	921352	6580/6535
919079	23244C/C3-W33	921414	938/932
919080	23228C/C3-W33	921422	99550/99100
919087	22234C/C3-W33	921436	95500/95925
919096	23156CA/C3-W33	921439	HM237535/HM237510
919097	23256CA/C3-W33	921447	65212/65500
919103	23240C/C3-W33	921448	HH221431/HH221410
919106	23152CA/C3-W33	921458	HM813842/HM813811
919107	23252CA/C3-W33	921459	HH224335/HH224310
919108	22328C/C3-W33	921463	HH228340/HH228310
919110	22330C/C3-W33	921489	6576C/6535
919111	22324C/C3-W33	921490	65237/65500
919112	22332C/C3-W33	921492	HM807040/HM807010
919113	22326C/C3-W33	921494	H715336/H715311
919114	22336C/C3-W33	921526	HM807046/HM807010
919115	22320C/C3-W33	921529	H715345/H715311
919282	22232C/C3-W33	921530	H414249/H414210
919284	23148C/C3-W33	921531	6559C/6535
919285	23248CA/C3-W33	921533	3872/3820
919668	22322C/C3-W33	921534	3876/3820
		921542	HH221434/HH221410
		921623	4559/4535
		921734	H715341/H715311

NOTE: Sizes 50 thru 195Y & YT, refer to Factory for seal and bearing data.

TABLE 4 — Oil Seals/Falk™ Part Numbers

DRIVE SIZE	Ref. No. 35 H.S. Shaft Seals			Ref. No. 45 L.S. Shaft Seals		
	Model L	Model A, B or K		Model L	Model A, B or K	
		Solid Type	Split Type		Solid Type	Split Type
2050	912745	912745	194104	912934	912757	194110
2060	912929	912747	194105	912935	912758	194111
2070	912930	912749	194106	912936	912741	194113
2080	912931	912753	194107	912838	912760	194115
2090	912932	912754	194108	912818	912761	194116
2100	912933	912680	194109	912824	912762	194117
2110	912934	912757	194110	912547	912763	194118
2120/2125	912935	912758	194111	912938	912764	194119
2130/2135	912820	912759	194112	912832	912765	194120
2140/2145	912936	912741	194113	912766	912766	194121
2150/2155	912936	912741	194113	912575	912767	912797
2160/2165	912838	912760	194115	912554	912768	912798
2170/2175	912818	912761	194116	912769	912769	912799
2180/2185	912824	912762	194117	912940	912770	912800

TABLE 5 — Seal Manufacturer's Part Numbers

Solid Seals			Split Seals		
Falk™ No.	Chicago Rawhide	National	Falk™ No.	Johns Manville	Chicago Rawhide
912547	CRWH54972	456107	194104	R-0125-03691	...
912554	CRWH85015	455126	194105	R-0150-05633	...
912575	CRWH77540	455406	194106	R-0175-03975	...
912680	CRW25074	476273	194107	R-0200-13681	...
912741	CRW34886	477437	194108	R-0225-09597	...
912745	CRW12545	471795	194109	R-0250-09386	...
912747	CRWA15142	473228	194110	R-0275-06895	...
912749	CRWA17285	471504	194111	R-0300-09373	...
912753	CRW19992	472397	194112	R-0325-04289	...
912754	CRW22440	472636	194113	R-0350-07341	...
912757	...	417316	194115	R-0400-10468	...
912758	CRW29906	475995	194116	R-0450-06618	...
912759	CRW32393	476470	194117	R-0500-06585	...
912760	CRW39922	...	194118	R-0550-11070	...
912761	CRW44959	...	194119	R-0600-09824	...
912762	CRWA49985	476865	194120	R-0650-11974	...
912763	CRWA54960	...	194121	R-0725-15465	...
912764	CRWA60016	...	912797	R-0775-10787	...
912765	CRWA64993	...	912798	R-0850-07087	...
912766	CRWA72539	...	912799	R-0925-09568	...
912767	CRWH77540	...	912800	R-1000-06663	...
912768	CRWH185015	...	912801	...	1100528-HS8
912769	CRWA92536	...			
912770	CRWH100051	...			
912771	CRWH110051	...			
912818	CRWH44967	456888			
912820	CRWH32396	455304			
912824	CRWH49966	456865			
912832	CRWH64994	455294			
912838	CRWH39933	...			
912929	CRW15141	481837			
912930	CRW17284	481122			
912931	CRW19992	482009			
912932	CRWH22446	452636			
912933	CRWH25071	455369			
912934	CRWH27368	457316			
912935	CRWH29951	...			
912936	CRWH34888	456414			
912938	CRWH60027	...			
912940	...	417020			