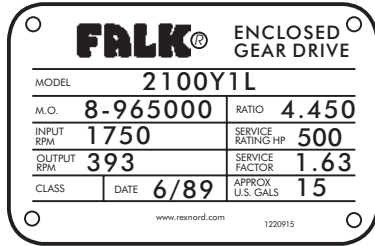


### Introduction

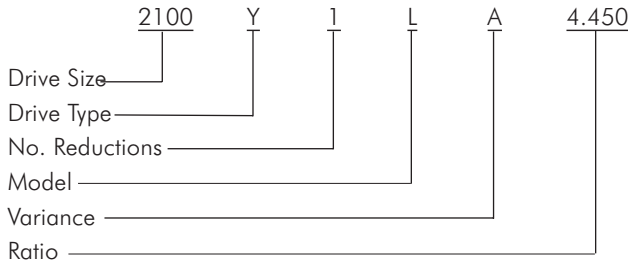
This parts guide is designed to assist in ordering replacement parts for standard Type Y and YT (Models A, B, K or L) single reduction gear drives (ratios 1.84 thru 7.59). Consult Factory for special or modified drives.

- IDENTIFY DRIVE** — Record Drive Model, Ratio and M.O. Number from nameplate.

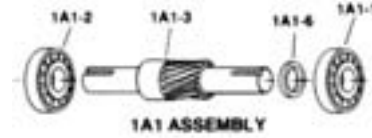
### Sample Nameplate



### Gear Drive Identification



- IDENTIFY INDIVIDUAL PARTS** — Use exploded view on Page 2 to determine Ref. No. of required parts.



Ref. No.	Part Description
1A1-1	Bearing
1A1-2	Bearing
1A1-3	Pinion & Shaft
1A1-6	Spacer

**NOTE:** Replace seals, shims, and gaskets whenever reassembling a drive. Shim-gaskets are available only in kits; see Ref. No. 100.

- HOW TO USE THIS GUIDE** — Use the Part Ref. No. (Step 2) and the drive Model No. (Step 1) to determine the part description and use this information to order the required parts.
- ORDER REPLACEMENT** — Place your order with your local Rexnord Account Executive or Distributor. If you need assistance call the number below.

### Bearing & Seal Identification

Refer to the exploded views on Page 2 to identify the bearings and oil seals by the parts list Reference Number. Then refer to Tables 2 thru 5, Page 4, to determine the Manufacturer and Manufacturer's part number.

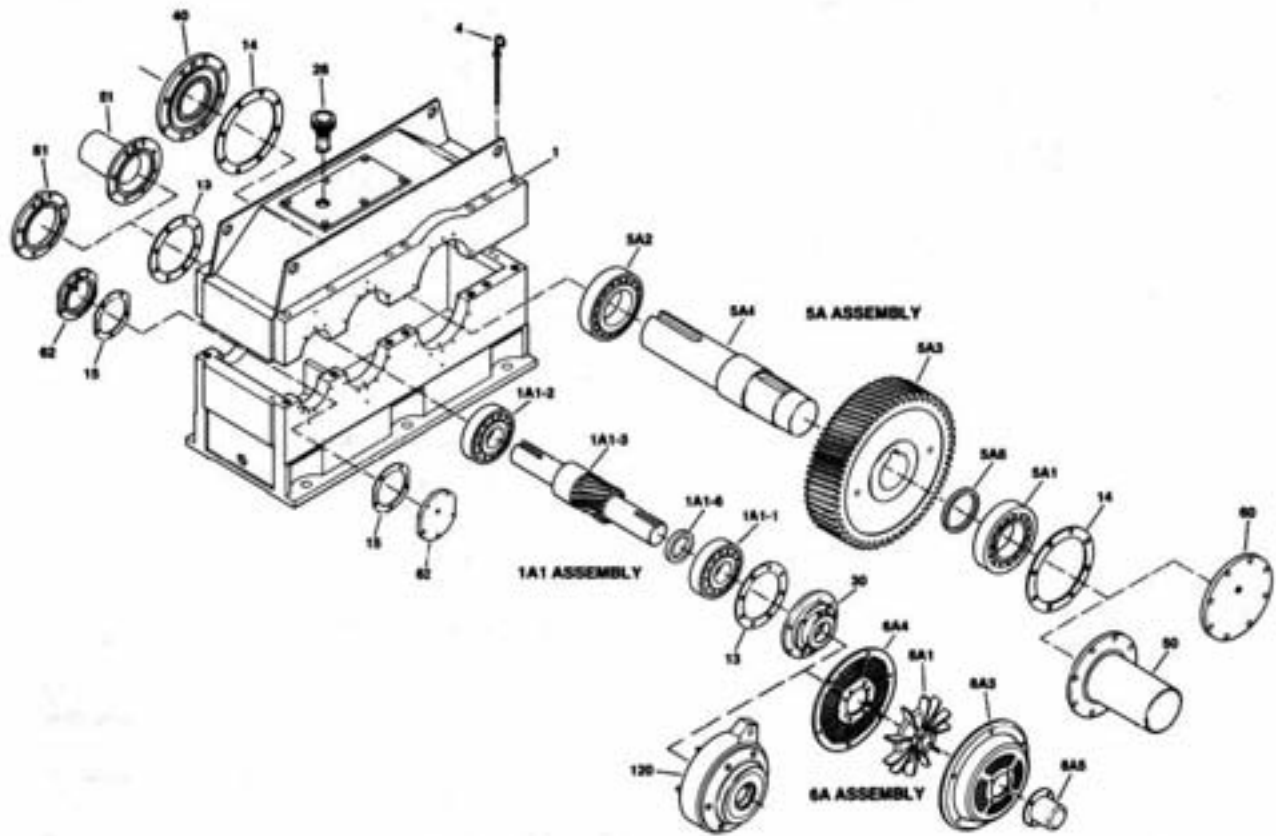
### Corrosion Protection & Storage

**CAUTION:** Follow guidelines below to avoid damage to parts.

- For domestic or indoor storage, Factory provides standard 24 month protection as boxed or optional 24 month protection for individual parts.
- For export or outdoor storage, Factory provides optional 18 month protection.

**CAUTION:** This protection does not cover exposure to elements such as standing water, etc.

## Parts Diagram

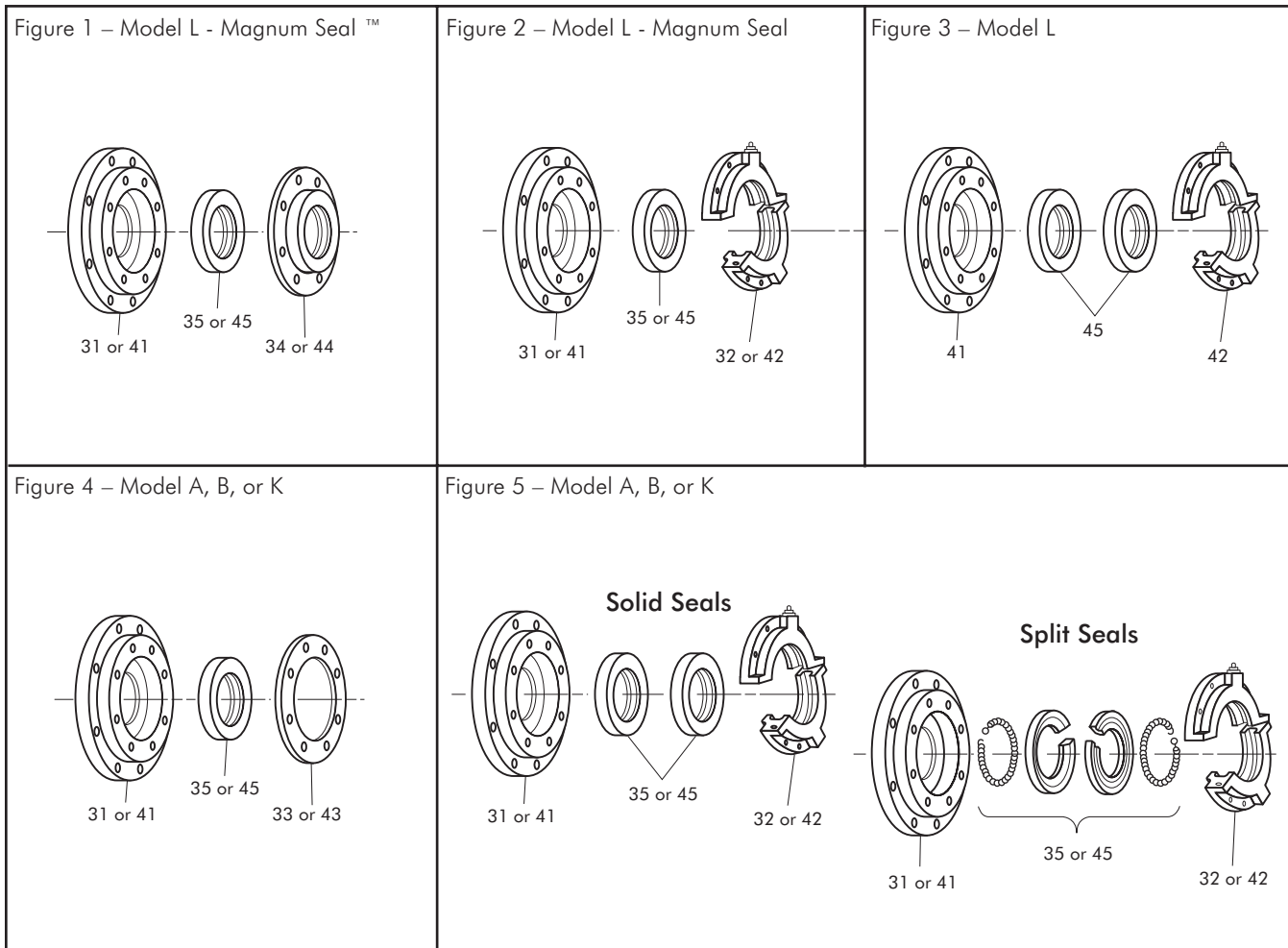


**TABLE 1 — Parts List**

Ref. No.	Part Description
1	Housing (Consists of Base, Cover and all Hardware)
4	Dipstick
13	Shim-Gasket
14	Shim-Gasket
15	Shim-Gasket
	} Available as a Kit, Specify Ref. #100
26	Air Vent
30	H.S. Seal Cage Assembly
31 thru 35	H.S. Seal Cage Parts
40	L.S. Seal Cage Assembly
41 thru 45	L.S. Seal Cage Parts
	} See Figures 1 thru 5 on Page 3 for details.
50	Shaft Guard (Optional)
51	Shaft Guard (Optional)
60	Shaft Cover
61	Shaft Cover
62	Shaft Cover (Blind Bore)
100	Shim-Gasket Kit, Incls Ref. #13, 14 & 15
120	Backstop (Optional)

Ref. No.	Part Description
1A1	Shaft Assembly – Incls. Ref. 1A1-1 thru 1A1-6
1A1-1	Bearing
1A1-2	Bearing
1A1-3	Pinion & Shaft
1A1-6	Spacer, Included with 1A1-3 as required
5A	Shaft Assembly – Incls. Ref. 5A1 thru 5A6
5A1	Bearing
5A2	Bearing
5A3	Gear
5A4	Shaft
5A6	Spacer, Included with 5A4
6A	Fan Assembly – Incls. Ref. 6A1 thru 6A4
6A1	Fan
6A3	Guard
6A4	Grill
6A5	Shaft Guard (Optional)

## Reference Numbers 30 & 40 Seal Assemblies



### H.S. Seal Cage Parts

Ref. No.	Part Description
<b>30</b>	Seal Cage Assembly, Incls. Ref. Nos. Shown Above
<b>31</b>	Inner Seal Cage
<b>32</b>	Grease Purge Cage (Split)
<b>33</b>	Baffle Ring
<b>34</b>	Grease Purge Cover
<b>35</b>	Seal

### L.S. Seal Cage Parts

Ref. No.	Part Description
<b>40</b>	Seal Cage Assembly, Incls. Ref. Nos. Shown Above
<b>41</b>	Inner Seal Cage
<b>42</b>	Grease Purge Cage (Split)
<b>43</b>	Baffle Ring
<b>44</b>	Grease Purge Cover
<b>45</b>	Seal

**TABLE 2 — Bearings/Falk™ Part Numbers**

Drive Size	Reference No.		
	1A1-1 & 1A2-2	5A1 & 5A2	
		Type Y	Type YT
2050	921492	921530	
2060	921526	921309	...
2070	921490	921352	...
2080	921494	921310	...
2090	921529	921414	...
2100	921489	921436	...
2110	921542	921422	919080
2120/2125	921443 †	921311	919282
2130/2135	921541 ‡	921439	919087
2140/2145	921470 •	919073	919074

† Model A = 921542.  
‡ Model A = 921459.  
• Model A = 921463.

**TABLE 3 — Bearing Manufacturers' Part Numbers**

Falk™ No.	SKF No.	Falk™ No.	Timken No.
919073	22238C/C3-W33	921309	755/752
919074	23238C/C3-W33	921310	861/854
919080	23228C/C3-W33	921311	99600/99100
919087	22234C/C3-W33	921352	6580/6535
919282	22232C/C3-W33	921414	938/932
		921422	99550/99100
		921436	95500/95925
		921439	HM237535/HM237510
		921443	HH221449/HH221410
		921470	HH228349/HH228310
		921489	6576C/6535
		921490	65237/65500
		921492	HM807040/HM807010
		921494	H715336/H715311
		921526	HM807046/HM807010
		921529	H715345/H715311
		921530	H414249/H414210
		921541	HH224346/HH224310
		921542	HH221434/HH221410

**TABLE 4 — Oil Seals/Falk™ Part Numbers**

Drive Size	Ref. No. 35 H.S. Shaft Seals			Ref. No. 45 L.S. Shaft Seals		
	Model L	Model A, B or K		Model L	Model A, B or K	
		Solid Type	Split Type		Solid Type	Split Type
2050	912930	912749	194106	912934	912757	194110
2060	912931	912753	194107	912935	912758	194111
2070	912932	912754	194108	912936	912741	194113
2080	912933	912680	194109	912838	912760	194115
2090	912934	912757	194110	912818	912761	194116
2100	912935	912758	194111	912824	912762	194117
2110	912936	912741 †	194113 ‡	912547	912763	194118
2120/2125	912838	912760 †	194115 ‡	912938	912764	194119
2130/2135	912818	912761 †	194116 ‡	912832	912765	194120
2140/2145	912824	912763 †	194118 ‡	912766	912766	194121

† Model B & K part numbers shown; Model A part numbers are 912759, 912741, 912760 & 912761 respectively.  
‡ Model B & K part numbers shown; Model A part numbers are 194112, 194113, 194115 & 194116 respectively.

**TABLE 5 — Seal Manufacturers' Part Numbers**

Solid Seals			Split Seals	
Falk™ No.	Chicago Rawhide	National	Falk™ No.	Johns Manville
912547	CRWH54972	456107	194106	R-0175-03975
912680	CRW25074	476273	194107	R-0200-13681
912741	CRW34886	477437	194108	J/M-90X230
912749	CRWA17285	471504	194109	R-0250-09386
912753	CRW19992	472397	194110	R-0275-06895
912754	CRW22440	472636	194111	R-0300-09373
912757		417316	194112	R-0325-04289
912758	CRW29906	475995	194113	R-0350-07341
912759	CRW32393	476470	194115	R-0400-10468
912760	CRW39922	...	194116	R-0450-06618
912761	CRW44959	...	194117	R-0500-06585
912762	CRWA49985	476865	194118	R-0550-11070
912763	CRWA54960	...	194119	R-0600-09824
912764	CRWA60016	...	194120	R-0650-11974
912765	CRWA64993	...	194121	R-0725-15465
912766	CRWHA72539	...		
912818	CRWH44967	456888		
912824	CRWH49966	456865		
912832	CRWH64994	455294		
912838	CRWH39933	...		
912930	CRW17284	481122		
912931	CRW19992	482009		
912932	CRWH22446	452636		
912933	CRWH25071	455369		
912934	CRWH27368	457316		
912935	CRWH29951	...		
912936	CRWH34888	456414		
912938	CRWH60027	...		

**NOTE:** Sizes 50 thru 145Y & YT, refer to Factory for seal and bearing data.