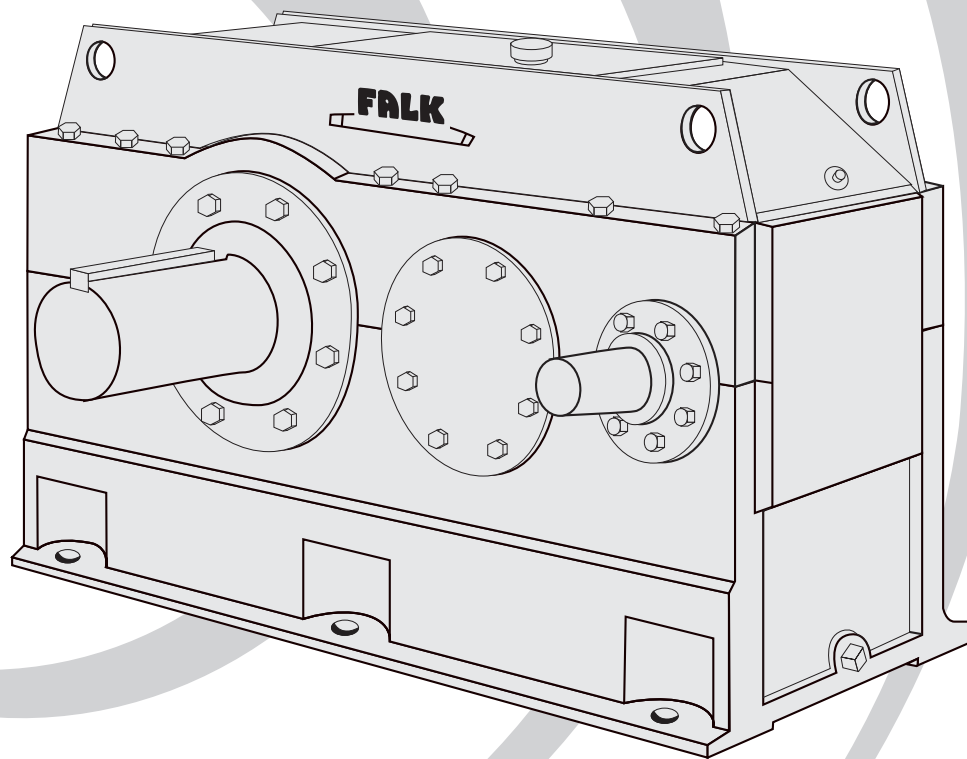


# FALK™ THERMAL HORSEPOWER RATINGS WITH FANS | SELECTION GUIDE

Types Y, YN, YF, YFN  
Gear Drives



# Type YF1 / Thermal Horsepower Ratings – One Fan ★

Ratios 1.84 through 7.59 Single Reduction 1750 through 1170 rpm

H.S. Shaft rpm	Nom Ratio ± 3%	DRIVE SIZE										
		1080	1090	1100	1110	1120 1125	1130 1135	1140 1145	1150 1155	1160 1165	1170 1175	1180 1185
1750	1.84	403	467	924								
	2.03	405	446	882	1043							
	2.25	385	447	861	1042							
	2.49	369	431	868	1040	1324						
	2.76	351	411	830	1041	1302	1714					
	3.05	353	416	828	1033	1305	1719					
	3.38	357	421	826	1026	1294	1720	1938				
	3.74	361	427	823	1018	1280	1732	1925	2154			
	4.13	366	434	821	1012	1266	1743	2004	2092			
	4.57	369	443	818	1004	1247	1757	2117	2374			
	5.06	376	451	814	994	1227	1771	2227	2658		2989 †	
	5.60	361	434	798	955	1200	1719	2149	2592		3014 †	
	6.20	331	422	747	908	1130	1658	2032	2522		3048 †	3155 †
	6.86	327	404	723	868	1091	1597	1913	2417		3048 †	3297 †
7.59	303	408	675	809	1054	1510	1810	2296		3125 †	3455 †	
1430	1.84	452	550	992	1159	1508						
	2.03	454	517	932	1134	1477	1925					
	2.25	428	518	901	1102	1441	1896					
	2.49	405	492	911	1053	1400	1861	2091				
	2.76	380	459	856	1068	1348	1811	2032				
	3.05	382	456	845	1051	1356	1799	2057	2147			
	3.38	386	454	835	1034	1330	1799	2096	2283			
	3.74	389	452	817	1015	1301	1773	2091	2436			
	4.13	393	449	806	1000	1270	1752	2122	2405			
	4.57	396	445	786	980	1228	1724	2166	2543			
	5.06	402	443	763	956	1183	1699	2210	2682			
	5.60	376	416	751	924	1152	1640	2116	2592			
	6.20	327	398	712	886	1072	1570	1975	2498			
	6.86	319	369	693	853	1027	1500	1833	2356			
7.59	278	375	657	806	984	1400	1709	2191				
1170	1.84	474	591	1015	1207	1564	2089	2500				
	2.03	477	551	944	1167	1522	2027	2412				
	2.25	446	552	907	1116	1472	1976	2331				
	2.49	419	520	919	1036	1417	1918	2246				
	2.76	390	480	854	1061	1346	1832	2151				
	3.05	388	478	844	1038	1357	1809	2151				
	3.38	385	476	834	1016	1323	1808	2151	2515			
	3.74	382	474	817	990	1284	1759	2151	2563			
	4.13	379	472	807	971	1243	1716	2151	2553			
	4.57	377	469	788	943	1188	1663	2151	2597			
	5.06	373	467	766	911	1129	1613	2152	2641			
	5.60	348	419	747	875	1104	1566	2049	2538			
	6.20	301	386	685	830	1040	1510	1896	2429			
	6.86	294	334	655	793	1004	1455	1741	2265			
7.59	255	345	597	738	970	1375	1605	2075				

★ Fans are not available for Sizes 1190/1195. Thermal hp values are listed only if they are less than the mechanical hp.

† Drive requires jet lubrication; refer to Selection 141-931 for pump and cooler selections or Selection Guide 141-933 for air-to-oil cooler selections.

Shaded areas indicate that drives and/or fans are not available.

Selection Guide 141-110 Lists Thermal Horsepower Values For Drives Without Cooling.

# Type YF1 / Thermal Horsepower Ratings – One Fan ★

Ratios 1.84 through 7.59 Single Reduction 870 through 580 rpm

H.S. Shaft rpm	Nom Ratio ± 3%	DRIVE SIZE										
		1080	1090	1100	1110	1120 1125	1130 1135	1140 1145	1150 1155	1160 1165	1170 1175	1180 1185
870	1.84	477	607	999	1206	1556	2125	2633				
	2.03	479	561	921	1154	1506	2043	2518				
	2.25	459	562	881	1087	1446	1975	2413				
	2.49	441	527	893	983	1380	1896	2302				
	2.76	423	481	822	1015	1295	1782	2178				
	3.05	412	473	805	996	1304	1751	2155				
	3.38	398	466	788	977	1276	1749	2122	2631			
	3.74	386	456	761	955	1243	1681	2127	2585			
	4.13	368	447	742	940	1208	1621	2100	2594		3466	
	4.57	356	433	711	917	1163	1547	2062	2554		3542	
	5.06	335	423	674	890	1113	1477	2025	2513		3570	4084
	5.60	312	377	657	840	1073	1423	1930	2420		3438	4088
	6.20	269	346	601	779	969	1359	1789	2321		3259	3910
	6.86	262	296	574	727	912	1295	1647	2173		3067	3612
7.59	226	307	522	652	856	1204	1522	2002		2858	3285	
720	1.84	497	600	972	1178	1518	2092	2627				
	2.03	500	568	892	1122	1466	2003	2504				
	2.25	465	569	851	1051	1403	1930	2391				
	2.49	434	544	864	940	1333	1845	2272				
	2.76	401	512	791	974	1245	1722	2139				
	3.05	390	496	772	952	1255	1696	2128				
	3.38	376	482	753	930	1223	1695	2112	2618			
	3.74	364	464	722	905	1185	1638	2114	2538			
	4.13	346	444	701	887	1145	1588	2101	2553		3486	
	4.57	334	418	665	860	1093	1526	2082	2481		3499	
	5.06	313	397	624	829	1035	1468	2065	2409		3504	4046
	5.60	292	353	608	782	997	1397	1943	2309		3394	4050
	6.20	250	323	555	724	900	1314	1760	2204		3245	3851
	6.86	244	275	530	675	846	1230	1575	2046		3085	3517
7.59	210	285	481	604	793	1110	1413	1863		2911	3150	
580	1.84	471	610	932	1132	1458	2023	2570				
	2.03	474	563	871	1089	1419	1931	2442				
	2.25	439	564	840	1034	1373	1855	2325				
	2.49	409	528	849	949	1321	1767	2202				
	2.76	377	481	794	975	1256	1639	2064				
	3.05	366	465	769	943	1271	1609	2042				
	3.38	352	452	744	912	1224	1608	2009	2599			
	3.74	340	434	703	875	1171	1542	2014	2524			
	4.13	322	415	675	849	1113	1485	1987	2539		3431	
	4.57	310	389	627	810	1038	1415	1950	2472		3397	
	5.06	289	369	572	765	955	1348	1914	2404		3385	3935
	5.60	269	327	557	721	920	1282	1799	2279		3258	3939
	6.20	231	299	508	667	828	1204	1626	2147		3086	3763
	6.86	226	253	485	622	777	1126	1452	1950		2901	3468
7.59	194	263	439	555	728	1015	1300	1720		2700	3144	

★ Fans are not available for Sizes 1190/1195. Thermal hp values are listed only if they are less than the mechanical hp.

Shaded areas indicate that drives and/or fans are not available.

# Type YF1 / Thermal Horsepower Ratings – Two Fans ★

Ratios 1.84 through 7.59 Single Reduction 1750 through 580 rpm

H.S. Shaft rpm	Nom Ratio ± 3%	DRIVE SIZE											
		1080	1090	1100	1110	1120 1125	1130 1135	1140 1145	1150 1155	1160 1165	1170 1175	1180 1185	
1750	1.84	730	876	1693									
	2.03	734	821	1581									
	2.25	689	822	1523	1961								
	2.49	650	779	1541	1830								
	2.76	607	723	1438	1870	2325	3268						
	3.05	598	716	1415	1818	2348	3230						
	3.38	586	710					3641					
	3.74	575	702					3639					
	4.13	560	694						4225				
	4.57	550	683						4345				
5.06	532	674											
5.60	506	621											
1430	1.84	709	870	1602	2003	2542							
	2.03	714	810	1486	1927	2468							
	2.25	666	811	1426	1831	2381	3326						
	2.49	625	765	1444	1680	2283	3211						
	2.76	581	704	1338		2158		3484					
	3.05	574	699	1311		2181		3468					
	3.38	565	695						4075				
	3.74	557	690						4094				
	4.13	545	685								5423		
	4.57	537	677								5692		
1170	1.84	678	846			2388		3983					
	2.03	683	784			2312		3813					
	2.25	635	785					3656	4155				
	2.49	594	737					3492	4088				
	2.76	549	674					3308	4026				
	3.05	539	664					3276	3992				
	3.38	527	656								4845	5890	
	3.74	516	645								5082	5950	
	870	1.84	624	790						4051			
		2.03	627	728						4002			
2.25		594	730						3964		5448	6162	
2.49		566	682						3898		5232	6193	
2.76		536	620								4955	6262	
3.05		520	606								4959	6188	
3.38			595										
3.74		580											
720	1.84	615	749						3871			6204	
	2.03	619	703						3824			6221	
	2.25	574	704									6245	
	2.49	536	669									6259	
580	1.84		727									6153	
	2.03		670									6154	
	2.25											6157	
	2.49											6159	

★ Fans are not available for Sizes 1190/1195. Thermal hp values are listed only if they are less than the mechanical hp. For thermal hp ratings of ratios not shown, interpolate between the nearest two ratios.

Shaded areas indicate that drives and/or fans are not available.

# Type YFN1/Thermal Horsepower Ratings – One/Two Fans ★

Ratios 1.84 through 7.59 Single Reduction 1750 through 870 rpm

H.S. Shaft rpm	Nom Ratio ± 3%	One Fan						Two Fans					
		DRIVE SIZE											
		1160	1165	1170	1175	1180	1185	1160	1165	1170	1175	1180	1185
1750	1.84												
	2.25												
	2.76												
	3.38												
	4.13												
	5.06	863 †	863 †	717 †	717 †			1350 †	1350 †	1112 †	1112 †		
	6.20	938 †	938 †	783 †	783 †	399 †	399 †	1469 †	1469 †	1214 †	1214 †	605 †	605 †
7.59	1010 †	1010 †	845 †	845 †	435 †	435 †	1580 †	1580 †	1309 †	1309 †	659 †	659 †	
1430	1.84												
	2.25												
	2.76												
	3.38	1024	1024					1563	1563				
	4.13	1177	1177	1058	1058			1796	1796	1577	1577		
	5.06	1264	1264	1154	1154	950	950	1930	1930	1720	1720	1401	1401
	6.20	1354	1354	1250	1250	1037	1037	2067	2067	1863	1863	1528	1528
7.59	1434	1434	1339	1339	1116	1116	2188	2188	1994	1994	1644	1644	
1170	1.84												
	2.25												
	2.76												
	3.38												
	4.13												
	5.06	1279	1279					1902	1902				
	6.20	1375	1375	1330	1330			2044	2044	1933	1933		
7.59	1418	1418	1408	1408	1343	1343	2108	2108	2046	2046	1950	1950	
870	1.84												
	2.25												
	2.76												
	3.38												
	4.13												
	5.06	1681	1681					2396	2396				
	6.20	1712	1712	1700	1700			2440	2440	2369	2369		
7.59	1757	1757	1757	1757	1750	1750			2450	2450	2408	2408	
			1818	1818	1817	1817					2502	2502	
					1868	1868							

★ Fans are not available for Sizes 1190/1195. Thermal hp values are listed only if they are less than the mechanical hp.

† Drive requires jet lubrication; refer to Selection Guide 141-931 for pump and cooler selections.

Shaded areas indicate that drives and/or fans are not available.

# Type Y1/Thermal Horsepower Ratings – One Fan ★

Ratios 1.84 through 7.59 Single Reduction 1750 through 1170 rpm

H.S. Shaft rpm	Nom Ratio ± 3%	DRIVE SIZE									
		2050	2060	2070	2080	2090	2100	2110	2120 2125	2130 2135	2140 2140
1750	1.84	167	248	308	432	521	941				
	2.03	169	249	302	427	511	903	942			
	2.25	173	251	295	421	499	884	927			
	2.49	179	253	286	413	487	842	911	1334		
	2.76	183	257	279	406	471	803	884	1332	1632	
	3.05	175	248	269	387	457	782	867	1291	1604	
	3.38	166	236	258	374	440	755	848	1256	1560	1676
	3.74	157	221	249	355	433	724	824	1203	1519	1662
	4.13	147	212	234	332	409	690	794	1143	1486	1644
	4.57	138	198	217	301	398	670	769	1085	1440	1628
	5.06	121	174	206	269	371	623	733	1041	1386	1607
	5.60	117	169	199	261	353	600	702	989	1330	1557
	6.20	106	162	194	252	332	557	644	932	1225	1464
	6.86	96	153	185	241	312	529	620	851	1159	1405
	7.59	87	144	180	235	289	492	540	796	1088	1261
	1430	1.84	164	241	306	431	539	954	1024	1419	
2.03		166	242	299	425	526	908	1004	1405		
2.25		169	243	291	418	509	885	977	1387	1731	
2.49		173	244	281	408	492	835	949	1373	1700	1871
2.76		177	247	273	399	471	788	903	1344	1665	1831
3.05		168	237	263	380	454	763	880	1292	1624	1790
3.38		159	224	253	367	434	732	852	1248	1557	1752
3.74		150	209	244	349	425	695	819	1180	1496	1709
4.13		139	198	230	326	395	655	778	1104	1447	1650
4.57		129	183	214	296	383	631	743	1029	1378	1603
5.06		111	158	203	265	349	576	692	973	1297	1534
5.60		107	154	193	253	330	557	661	921	1240	1481
6.20		97	146	185	240	308	520	602	864	1133	1382
6.86		87	138	172	223	287	497	578	783	1067	1319
7.59		79	130	164	214	263	466	497	728	994	1166
1170		1.84	159	232	299	422	541	944	1050	1444	1840
	2.03	162	232	291	415	525	894	1024	1422	1817	2060
	2.25	167	233	283	407	506	869	991	1394	1757	2015
	2.49	175	234	272	396	487	813	956	1372	1709	1950
	2.76	181	236	263	386	462	761	897	1325	1653	1881
	3.05	171	226	252	366	446	734	870	1267	1604	1823
	3.38	159	213	242	352	426	701	838	1217	1524	1767
	3.74	148	197	232	333	417	661	799	1141	1450	1706
	4.13	135	186	216	309	389	618	750	1055	1391	1622
	4.57	124	171	199	277	376	593	709	971	1308	1554
	5.06	102	145	187	244	344	533	650	908	1211	1455
	5.60	98	141	177	233	321	513	622	863	1154	1401
	6.20	89	134	170	220	294	476	569	813	1049	1300
	6.86	80	127	157	205	270	452	547	744	983	1235
	7.59	73	119	150	196	240	421	475	696	911	1079

★ Thermal hp values are listed only if they are less than the mechanical hp.

Shaded areas indicate that drives and/or fans are not available.

# Type Y1/Thermal Horsepower Ratings – One Fan ★

Ratios 1.84 through 7.59 Single Reduction 870 through 580 rpm

H.S. Shaft rpm <sup>1</sup>	Nom Ratio ± 3%	DRIVE SIZE									
		2050	2060	2070	2080	2090	2100	2110	2120 2125	2130 2135	2140 2145
870	1.84	153	223	284	401	526	904	1042	1420	1831	2182
	2.03	155	223	279	398	509	851	1012	1392	1801	2111
	2.25	158	224	273	394	488	825	973	1354	1723	2049
	2.49	162	226	266	389	467	767	932	1325	1659	1961
	2.76	166	228	260	385	440	712	863	1263	1586	1867
	3.05	156	217	247	362	422	686	836	1207	1531	1794
	3.38	145	202	234	345	399	654	804	1158	1441	1725
	3.74	135	185	221	322	390	617	765	1085	1359	1648
	4.13	123	174	202	294	358	576	718	1001	1293	1543
	4.57	112	157	181	256	344	551	677	920	1200	1458
	5.06	91	128	166	217	307	494	618	859	1091	1334
	5.60	87	124	157	207	286	471	586	806	1041	1285
	6.20	79	118	151	195	262	429	526	746	950	1194
	6.86	71	111	139	181	239	402	501	663	892	1136
	7.59	64	104	133	173	212	366	418	606	830	995
720	1.84	146	211	282	399	510	870	1019	1382	1792	2170
	2.03	147	211	274	392	497	817	988	1352	1760	2092
	2.25	150	212	266	384	481	791	947	1311	1675	2025
	2.49	154	212	254	372	465	733	904	1279	1607	1928
	2.76	157	214	245	362	445	678	832	1213	1528	1825
	3.05	147	204	232	340	423	652	804	1155	1476	1748
	3.38	137	190	220	324	397	619	770	1104	1392	1674
	3.74	127	173	208	302	385	581	730	1028	1314	1593
	4.13	115	162	189	275	347	539	679	941	1252	1481
	4.57	105	146	169	239	330	514	637	858	1165	1391
	5.06	85	119	155	202	286	456	575	794	1062	1259
	5.60	82	115	147	192	266	435	545	744	1005	1210
	6.20	73	109	140	181	243	395	488	688	900	1119
	6.86	65	103	129	168	222	369	464	610	835	1061
	7.59	59	96	123	160	196	336	386	557	763	920
580	1.84	138	197	265	375	508	828	983	1327	1727	2123
	2.03	139	197	257	368	490	784	958	1295	1694	2041
	2.25	141	198	249	360	468	762	926	1253	1606	1970
	2.49	144	198	237	348	446	713	892	1220	1535	1868
	2.76	147	200	228	338	417	667	835	1151	1453	1759
	3.05	138	190	216	317	396	638	802	1092	1399	1685
	3.38	128	176	204	302	371	601	762	1041	1313	1615
	3.74	118	160	193	281	359	558	714	964	1233	1536
	4.13	107	150	175	255	323	511	655	877	1169	1430
	4.57	97	134	156	221	307	483	604	792	1079	1343
	5.06	78	108	143	186	265	418	531	728	974	1217
	5.60	75	105	135	177	246	398	503	682	921	1163
	6.20	68	100	129	166	224	361	449	630	823	1063
	6.86	61	94	119	154	204	337	427	557	762	999
	7.59	55	89	113	147	180	306	354	508	695	844

★ Thermal hp values are listed only if they are less than the mechanical hp.

# Type Y1/Thermal Horsepower Ratings – Two Fans ★

Ratios 1.84 through 7.59 Single Reduction 1750 through 870 rpm

H.S. Shaft rpm <sup>1</sup>	Nom Ratio ± 3%	DRIVE SIZE									
		2050	2060	2070	2080	2090	2100	2110	2120 2125	2130 2135	2140 2145
1750	1.84	229	351	439	640	791	1590				
	2.03	232	352	429	630	771	1508				
	2.25	236	354	418	619	746		1667			
	2.49	242	356	402	604	720		1616			
	2.76	247		390	590	688		1564			
	3.05	235		374	559	663		1475			
	3.38			357	538			1433			
	3.74			342	507			1384			2999
	4.13			318				1324			2903
	4.57			292				1249			2773 2667
1430	1.84	213	323	410	597	754		1624			
	2.03	215	323	399	587	733		1583			
	2.25		324	388	575	706		1528			
	2.49		326	373	559	679		1470			3136
	2.76			360	544			1374			3011
	3.05			345	516			1331			
	3.38			331	497			1280			2811
	3.74			317	469			1218			
	4.13										
	4.57										
1170	1.84	198	298	383	555	713		1534			3295
	2.03	202	298	372	545	691		1491			3191
	2.25		299	361	534			1435			3100
	2.49		299	346	517			1375			2971
	2.76			333				1276			2832
	3.05			318				1233			2724
	3.38			304							2621
3.74			290							2507	
870	1.84			344							
	2.03			337							
	2.25										2845
	2.49										2709

★ Thermal hp values are listed only if they are less than the mechanical hp. For thermal hp ratings of ratios not shown, interpolate between the nearest two ratios.  
 Shaded areas indicate that units and/or fans are not available.



# Type Y2/Thermal Horsepower Ratings – One/Two Fans ★

Ratios 9.30 through 47.08 Double Reduction 1750 through 1170 rpm

H.S. Shaft rpm	Nom Ratio ± 4%	DRIVE SIZE																							
		2050	2060	2070	2080	2090	2100	2110	2120	2125	2130	2135	2140	2145	2150	2155	2160	2165	2170	2175	2180	2185	2190	2195	
<b>ONE FAN</b>																									
1750	9.30	56	70	96	115	148	196	228	340	340	390	390	414	414	493	493									
	11.39	57	73	99	120	155	204	238	354	354	406	406	431	431	513	513									
	13.95		76	103	125	160	211	246	368	368	421	421	448	448	532	532	647	647							
	17.09				126	163	216	251			374	429	456	456	542	542	686	686	652	652	699	699			
	20.93						226	264				452	452	480	480	571	571	724	724	663	663	711	711	764 †	764 †
	25.63													493	493	587	587	742	742	699	699	770	770	805 †	805 †
31.39															602				735	735	789	789	847 †	847 †	
38.44																		742	742	755	755	810	810	867 †	867 †
47.08																			755	755	842	842	903 †	903 †	
1430	9.30	69	86	118	142	182	241	282	426	426	482	482	491	491	589	589	759	759	747	747					
	11.39		68	122	148	189	253	296	445	445	504	504	514	514	615	615	794	794	781	781	838	838			
	13.95				152		261	306			523	523	532	532	639	639	823	823	809	809	868	868	929	929	
	17.09												558	558	670	670	863	863	849	849	910	910	974	974	
	20.93													581		698	698	898	898	884	884	947	947	1014	1014
	25.63																		918	918	983	983	1053	1053	
31.39																					1032	1032	1105	1105	
38.44																							1151	1151	
1170	9.30						385		561		649	696	696	836	836	1035	1035	1030	1030	1112	1112	1187	1187		
	11.39											718	718	861	861	1067	1067	1063	1063	1146	1146	1225	1225		
	13.95														1079	1079	1073	1073	1158	1158	1237	1237			
	17.09																	1101	1101	1187	1187	1268	1268		
	20.93																			1215	1215	1300	1300		
	25.63																					1323	1323		
<b>TWO FANS</b>																									
1750	9.30	83	103	143	177	226	305	349	575	575	644	644	652	652	771	771	849	849							
	11.39			148	185	236	318	364			670	670	678	678	803	803	930	930							
	13.95							376			696	696	705	705	833	833	1000	1000	904	904	963	963			
	17.09												718	718	849	849	948	948	920	920	981	981	1034 †	1034 †	
	20.83																1000	1000	970	970	1034	1034	1089 †	1089 †	
	25.65																		994	994	1061	1061	1118 †	1118 †	
31.39																				1019	1088	1146 †	1146 †		
38.44																					1117	1173 †	1173 †		
1430	9.30						406				765	767	767	912	912	1023	1023	1009	1009						
	11.39											803	803	953	953	1069	1069	1054	1054	1124	1124				
	13.95											832	832			1109	1109	1092	1092	1165	1165	1226	1226		
	17.09																1163	1146	1146	1222	1222	1286	1286		
	20.93																		1194	1271	1271	1339	1339		
	25.63																				1320	1389	1389	1389	
31.39																						1459	1459		
1170	9.30												1025		1220	1356	1356	1349	1349	1451	1451	1512	1512		
	11.39																1399	1393	1496	1496	1559	1559			
	13.95																		1406	1511	1511	1575	1575		
	17.09																				1549	1614	1614		
	20.93																					1655	1655		
																								1655	

★ Thermal hp values are listed only if they are less than the mechanical hp. For thermal hp ratings of ratios not shown, interpolate between the nearest two ratios.

† Drive requires jet lubrication; refer to Selection Guide 141-931 for pump and cooler selections.

Shaded areas indicate that drives and/or fans are not available.

# Type YN2/Thermal Horsepower Ratings – One/Two Fans ★

Ratios 9.30 through 47.08 Double Reduction 1750 through 870 rpm

H.S. Shaft rpm	Nom Ratio ± 4%	One Fan								Two Fans							
		DRIVE SIZE															
		2160	2165	2170	2175	2180	2185	2190	2195	2160	2165	2170	2175	2180	2185	2190	2195
1750	9.30																
	11.39	679	679							1006	1006						
	13.95	706	706	740	740	781	781			1046	1046	1080	1080	1132	1132		
	17.09	720	720	753	753	796	796	887 †	887 †	1066	1066	1099	1099	1154	1154	1284 †	1284 †
	20.93	759	759	794	794	839	839	934 †	934 †		1124	1158	1158	1216	1216	1352 †	1352 †
	25.63	778	778	814	814	860	860	959 †	959 †				1188	1248	1248	1388 †	1388 †
	31.39		798	834	834	882	882	982 †	982 †						1279	1423 †	1423 †
38.44				857	905	905	1006 †	1006 †								1457 †	
47.08								1048 †									
1430	9.30	790	790	834	834					1145	1145	1193	1193				
	11.39	826	826	872	872	926	926			1198	1198	1247	1247	1300	1300		
	13.95	857	857	903	903	959	959	1062	1062	1242	1242	1292	1292	1348	1348	1492	1492
	17.09	898	898	948	948	1006	1006	1114	1114			1355	1355	1414	1414	1565	1565
	20.93	934	934	987	987	1047	1047	1159	1159					1470	1470	1628	1628
	25.63				1025	1087	1087	1203	1203							1690	1690
	31.39					1141	1263	1263									
1170	9.30	1074	1074	1136	1136	1212	1212	1332	1332		1505	1569	1569	1660	1660	1810	1810
	11.39	1107	1107	1173	1173	1249	1249	1374	1374				1620	1711	1711	1868	1868
	13.95		1119	1184	1184	1262	1262	1388	1388					1729	1729	1887	1887
	17.09				1214	1294	1294	1423	1423							1933	1933
	20.93					1325	1459	1459	1485								
	25.63																
870	9.30					1753	1753	1954	1954								2551
	11.39						1799	2006	2006								
	13.95							2051	2051								

★ Thermal hp values are listed only if they are less than the mechanical hp. For thermal hp ratings of ratios not shown, interpolate between the nearest two ratios.

† Drive requires jet lubrication; refer to Selection Guide 141-931 for pump and cooler selections.

Shaded areas indicate that drives and/or fans are not available.

---

**THIS PAGE INTENTIONALLY LEFT BLANK**

# World Class Customer Service

For more than 100 years, the dedicated people of Rexnord have delivered excellence in quality and service to our customers around the globe. Rexnord is a trusted name when it comes to providing skillfully engineered products that improve productivity and efficiency for industrial applications worldwide. We are committed to exceeding customer expectations in every area of our business: product design, application engineering, operations, and customer service.

Because of our customer focus, we are able to thoroughly understand the needs of your business and have the resources available to work closely with you to reduce maintenance costs, eliminate redundant inventories and prevent equipment down time.

Rexnord represents the most comprehensive portfolio of power transmission and conveying components in the world with the brands you know and trust.

Rexnord is a registered trademarks of Rexnord Industries, LLC. Falk and Drive One are trademarks of Rexnord. All rights reserved.



Rexnord Industries, LLC 3001 West Canal Street, Milwaukee, WI 53208-4200 USA  
Phone: 414-342-3131 Fax: 414-643-3366 [www.rexnord.com](http://www.rexnord.com)

© 2006 Rexnord Industries LLC

141-110.1 09/1992 Delzer Litho Printed in USA