

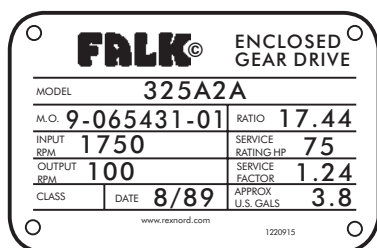
## Introduction

This literature applies to Model A, B and C standard gear drives with ratings, speeds, ratios, and dimensions as catalogued in current Falk™ selection guides. Refer to Rxnord for all specials and modifications. For disassembly and assembly instructions refer to Service Manual 138-108.

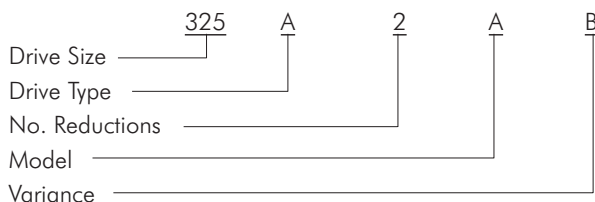
- IDENTIFY DRIVE** — Give complete data shown on drive nameplate. Also, give reference numbers, Falk part numbers, and name of parts required. Drawings and reference numbers are representative of all sizes and the actual parts may not agree in exact detail for each drive size. Complete nameplate data and parts reference number will assure receipt of correct parts.

The numerical designation stamped on the nameplate completely identifies all parts used in the drive. All drives with exactly the same nameplate markings have interchangeable rotating elements.

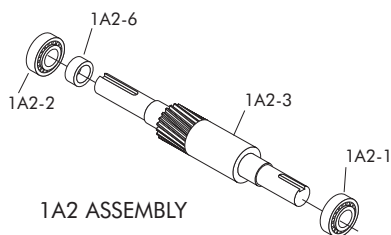
### Sample Nameplate



### Drive Identification



- IDENTIFY INDIVIDUAL PARTS** — Use exploded view on Page 2 to determine Ref. No. of required parts.



Ref. No.	Part Description
1A2-1	Bearing
1A2-2	Bearing
1A2-3	Pinion & Shaft
1A2-6	Spacer

**NOTE:** It is recommended that the shaft seals be replaced whenever it becomes necessary to disturb a seal in the process of disassembling a drive. New Shim-gaskets are recommended to prevent oil leakage and in some cases necessary to adjust internal running clearances. Shim-gaskets are available only in kits; see Ref. No. 100.

**PINION-SHAFT-BEARING ASSEMBLIES** — With today's production procedures, Rexnord can normally furnish a total rotating assembly more economically than if a customer purchases individual parts, disassembles the old parts, and reassembles using some new and some old parts. Falk™ replacement assemblies also reduce down time and always consist of all new parts.

**FASTENERS** — Fasteners are sold in sets for a specific item, i.e. four for an end cover, eight for a low speed seal cage, etc. Fasteners describe cap screws, bolts, studs, nuts, and lock washers as required.

**RATIO CHANGE** — Refer complete information to Rexnord.

**SHAFT COUPLINGS** — Refer to coupling parts guide and price list.

- HOW TO USE THIS GUIDE** — Use the Part Ref. No. (Step 2) and the drive Model No. (Step 1) to determine the part description and use this information to order the required parts.
- PRICING PARTS** — Refer to SPIP or the Rexnord District office or Distributor.
- ORDER REPLACEMENT** — Place your order with your local Rexnord Account Executive or Distributor. If you need assistance call the number below.

## Bearing & Seal Identification

Refer to the exploded views on Page 2 to identify the bearings and oil seals by the parts list Reference Number. Then refer to Tables 2 thru 7, Page 3, to determine the Manufacturer and Manufacturer's part number.

## Corrosion Protection & Storage

**CAUTION:** Follow guidelines below to avoid damage to parts.

- For domestic or indoor storage, Factory provides standard 24 month protection as boxed or optional 24 month protection for individual parts.
- For export or outdoor storage, Factory provides optional 18 month protection.

**CAUTION:** This protection does not cover exposure to elements such as standing water, etc.

Parts Diagram

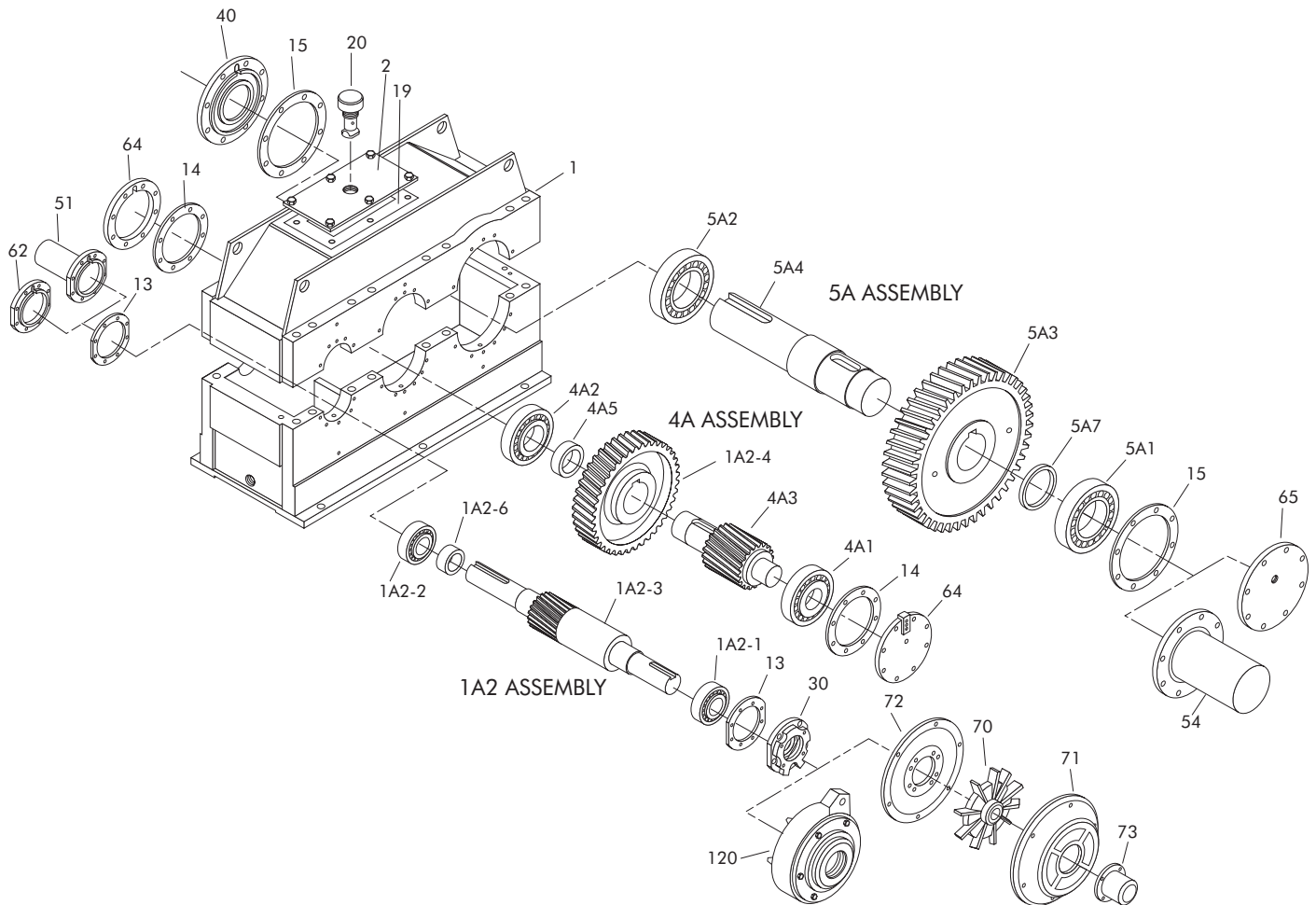
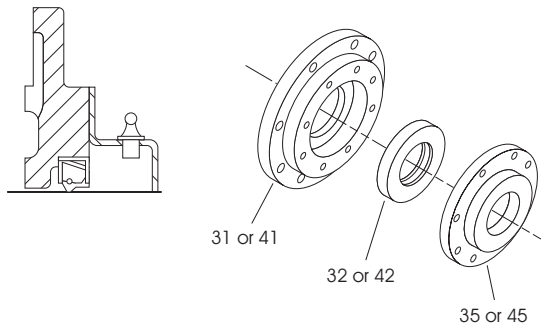
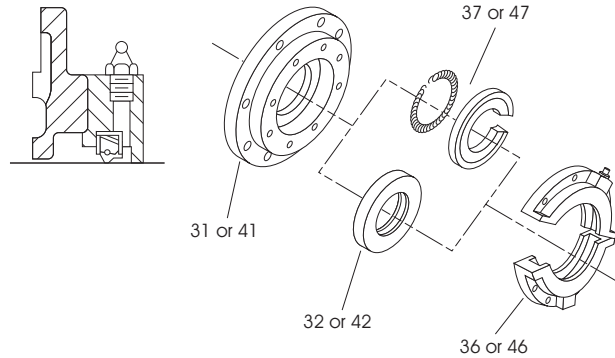


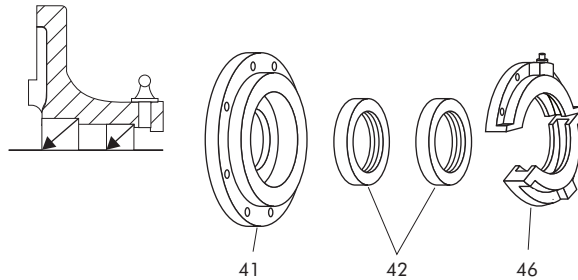
TABLE 1 — Parts List

Ref. No.	Part Description
1	Housing (Consists of Base & Cover & all Hardware)
2	Inspection Cover
13	Shim Gasket
14	Shim Gasket
15	Shim Gasket
19	Shim Gasket
20	Air Vent
30	High Speed Seal Cage Assembly
40	Low Speed Seal Cage Assembly
51	High Speed Shaft Guard
54	Low Speed Shaft Guard
62	High Speed Shaft End Cover
64	Low Speed Pinion End Cover
65	Low Speed Shaft End Cover
70	Cooling Fan
71	Guard (2 Halves)
72	Grill (2 Halves)
73	High Speed Shaft Guard
76	Fan Assembly (Includes Ref. Nos. 70, 71 & 72)
100	Shim Gasket Kit (Includes Ref. Nos.:13, 14, 15 & 19)
120	High Speed Backstop

Ref. No.	Part Description
1A2	HIGH SPEED SHAFT ASSEMBLY — Includes:
1A2-1	Bearing
1A2-2	Bearing
1A2-3	Pinion & Shaft
1A2-6	Spacer
4A	LOW SPEED PINION ASSEMBLY — Includes:
4A1	Bearing
4A2	Bearing
4A3	Pinion & Shaft
4A5	Spacer
1A2-4	High Speed Gear
5A	LOW SPEED SHAFT ASSEMBLY — Includes:
5A1	Bearing
5A2	Bearing
5A3	Low Speed Gear
5A4	Shaft
5A7	Spacer

**Figure 1**

**Figure 2**

**TABLE 2 — High Speed Shaft Seal Cage Parts**

Ref. No.	Part Description
31	Seal Cage
32	Oil Seal — Solid
35	Grease Purge Cover
36	Grease Purge Cage — Split
37	Oil Seal — Split

**Figure 3**

**TABLE 3 — Low Speed Shaft Seal Cage Parts**

Ref. No.	Part Description
41	Seal Cage
42	Oil Seal — Solid
45	Grease Purge Cover
46	Grease Purge Cage — Split
47	Oil Seal — Split

**TABLE 4 — Oil Seals/Falk™ Part Numbers**

DRIVE SIZE	Reference No. & Description			
	32-Solid	37-Split	42-Solid	47-Split
305A	912928	194104	912934	194110
325A	912929	194105	912935	194111
345A	912930	194106	912936	194113
365A	912931	194107	912838	194115
395A	912932	194108	912818	194116

**TABLE 6 — Seal Manufacturers' Part Numbers**

Solid Seals			Split Seals	
Falk No.	Chicago Rawhide	National	Falk No.	Johns Manville
912818	CRWH 44967	456888	194104	3691 RPD
912838	CRWH 39933	...	194105	5526 RPD
912928	CRW 12545	481795	194106	6112 R
912929	CRW 15141	481837	194107	90 x 202
912930	CRW 17284	481122	194108	90 x 230
912931	CRW 19992	482009	194110	6895 RPD
912932	CRWH 22446	452636	194111	9373 RPD
912934	CRWH 27368	457316	194113	90 x 352
912935	CRWH 29951	...	194115	10468 RPD
912936	CRWH 34888	456414	194116	90 x 450

**TABLE 5 — Bearings/Falk™ Part Numbers**

DRIVE SIZE	Reference No. & Description			
	1A2-1 & 2	4A1	4A2	5A1 & 2
305A	921533	921492	921492	921530
325A	921534	921492	921492	921309
345A	921492	921447	921447	921352
365A	921526	921494	921529	921310
395A	921490 †	921529	921529	921414

† Ratio 31.15 &amp; 34.02:1 use 921918

**TABLE 7 — Bearing Manufacturers' Part Numbers**

Falk Part No.	Timken No.
921309	755/752
921310	861/854
921352	6580/6535
921414	938/932
921447	65500/65212
921490	65500/65237
921492	HM807040/HM807010
921494	H715336/H715311
921526	HM807046/HM807010
921529	H715345/H715311
921530	H414249/H414210
921533	3872/3820
921534	3876/3820
921918	65500/65225