

**Key Industries:**

- Energy
- Metal Processing
- Mining
- Pulp & Paper

**Compliant with:**

- OSHA 1910.219
- ANSI/ASME B15.1
- ANSI Z535

**Material options:**

- Polyethylene
- Aluminum
- Carbon steel
- Stainless steel

**Color options:**

- Safety orange
- Safety yellow

**Mounting options:**

- Trim-and-fit
- Standard base
- Pedestal base

**Guard arrangements:**

- Standard guards
- Customized guards

**Diameters and lengths:**

- Diameters up to 33 inches (838 millimeters)
- Lengths up to 96 inches (2,483 millimeters)

## Falk Orange Peel Rotating Shaft Guards

### Providing safety and customization for your rotating industrial equipment environments.

With a history of providing coupling solutions for close to a century, Rexnord offers customers Falk® Orange Peel Rotating Shaft Guards. These guards are used around the world in any industry that uses rotating industrial equipment, including energy, metal processing, mining, pulp & paper industries, and more. Customers depend on our stationary machine shaft guards for coupling arrangements in rotating industrial equipment to help protect their workers from rotating hazards, as well as protect their equipment from external and environmental damage.

### Trim-and-fit design

The patented trim-and-fit design revolutionizes equipment guard convenience and value, providing the jobsite safety you require without the expense and long lead times of custom engineered guards. Falk Orange Peel Rotating Shaft Guards are sized to your overall application, and as a result, they can be installed in three easy steps. The trim-and-fit design allows customers the flexibility to use one guard for a range of varying dimensional applications.

### Convenience with easy access

Falk Orange Peel Rotating Shaft Guards can save you time and provide the best value — when compared to custom-made guards — with a hinged design for easy access to rotating equipment. Simply remove the fasteners and peel open the guard halves for coupling lubrication, inspection and maintenance.

Quick guard selection methods can be used for a breadth of coupling arrangements, including standard and customized:

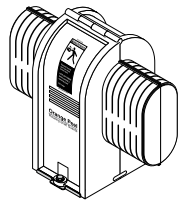
- **Motor (Gearmotor) Coupling Guards (MCG) and Close-Coupled Coupling Guards (CCG)** — polyethylene guards designed for close-coupled coupling applications
- **Pump Coupling Guards (PCG)** — polyethylene guards designed for standard ANSI and ISO pump-spacing applications
- **Close-Coupling Fluid Coupling Guards (CFCG)** — steel body with aluminum extensions guard designed for larger couplings
- **Spacer Coupling Guards (SCG)** — aluminum guards with extensions for larger spacer coupling arrangements
- **Line Shaft Guards (LSG)** — aluminum guards for long-span coupling arrangements
- **Volume Coupling Guards (VCG)** — made-to-fit guards offer protection for applications where standard guards will not fit



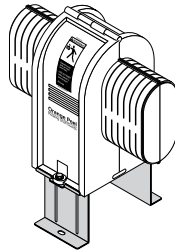
**Falk Orange Peel Guard types and accessories**

Choose from our full range of Falk Orange Peel Guard types and accessories below for your rotating industrial equipment application.

**Type MCG — polyethylene guards**

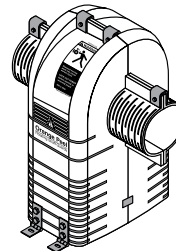


Guard



Guard with riser set

**Type CCG — polyethylene guards**

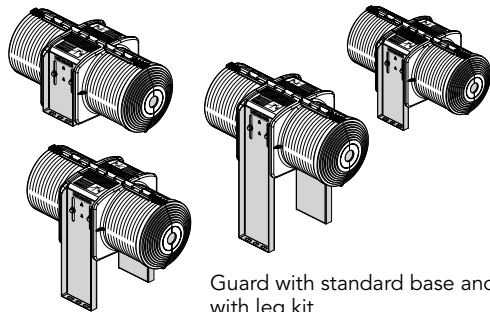


Guard



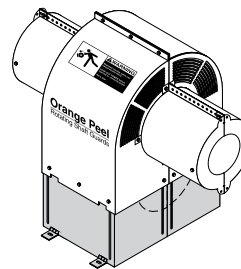
Guard with pedestal

**Type PCG — polyethylene guards**

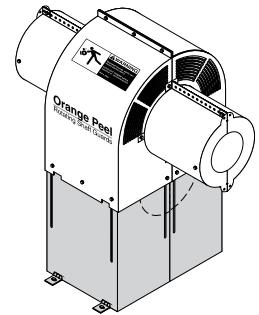


Guard with standard base and with leg kit

**Type SCG — aluminum guards**

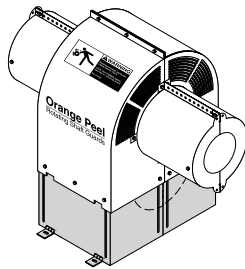


Guard with standard base

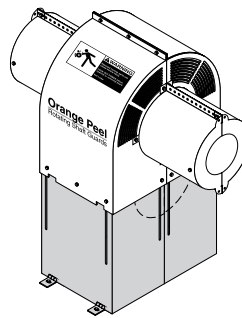


Guard with pedestal base

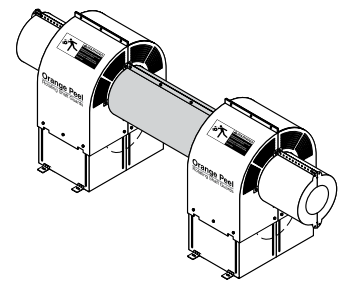
**Type CFCG — steel and aluminum guards**



Guard with standard base

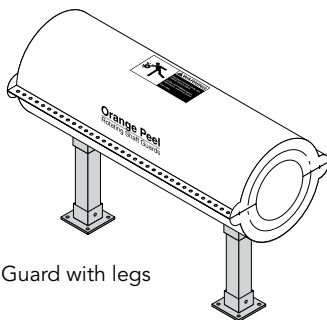


Guard with pedestal base



Guard with LSG center member

**Type LSG — aluminum guards**



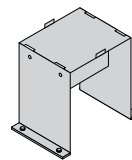
Guard with legs

**All types — stainless steel**



Inspection port kit

**Type CCG, CFCG and SCG guards — steel**



High base

**All types — safety labels**



ANSI Z535.4



ISO 3864

For more information on Falk Orange Peel Rotating Shaft Guards, visit [www.rexnord.com/documentation](http://www.rexnord.com/documentation) and download the Falk Orange Peel Rotating Shaft Guard catalog (111-310).