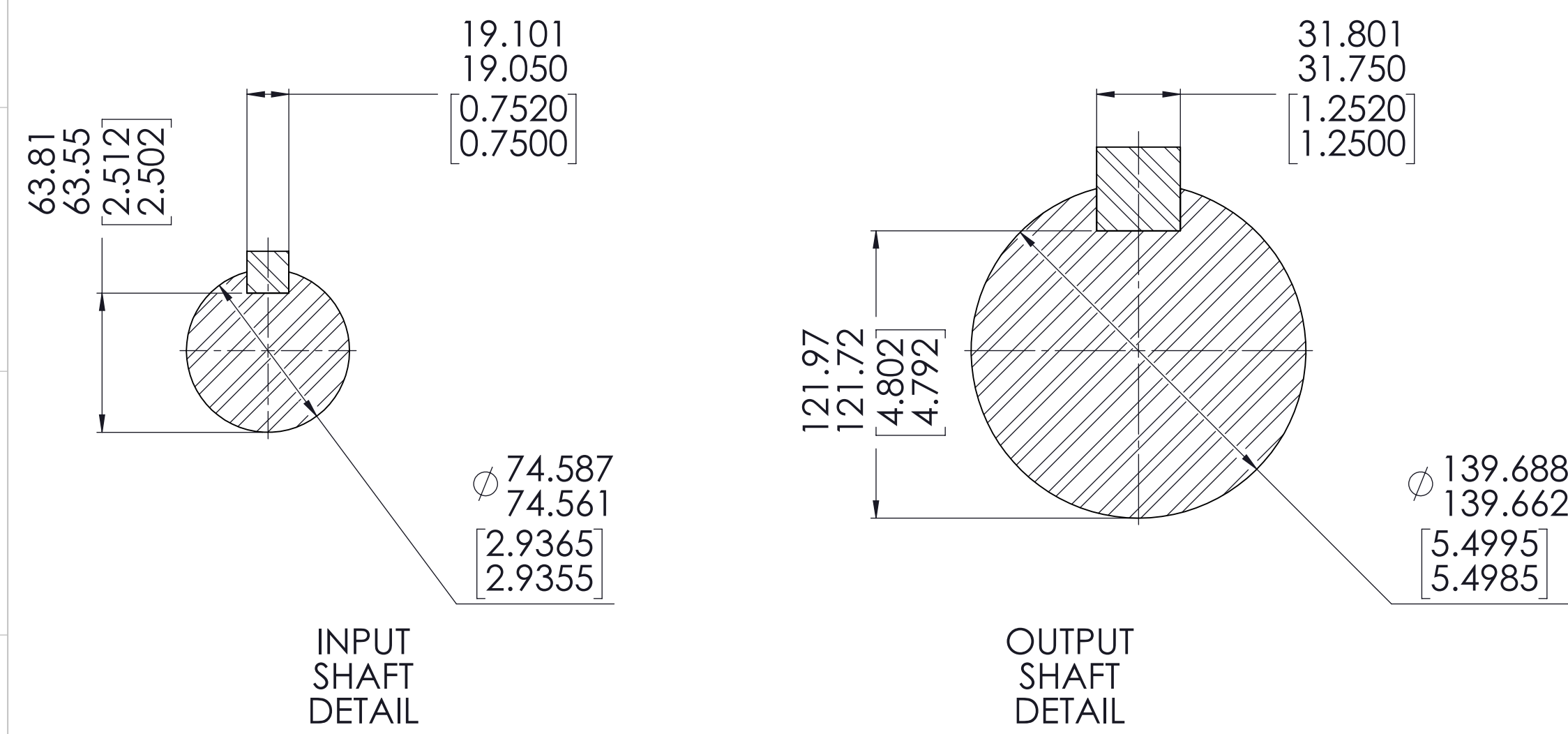
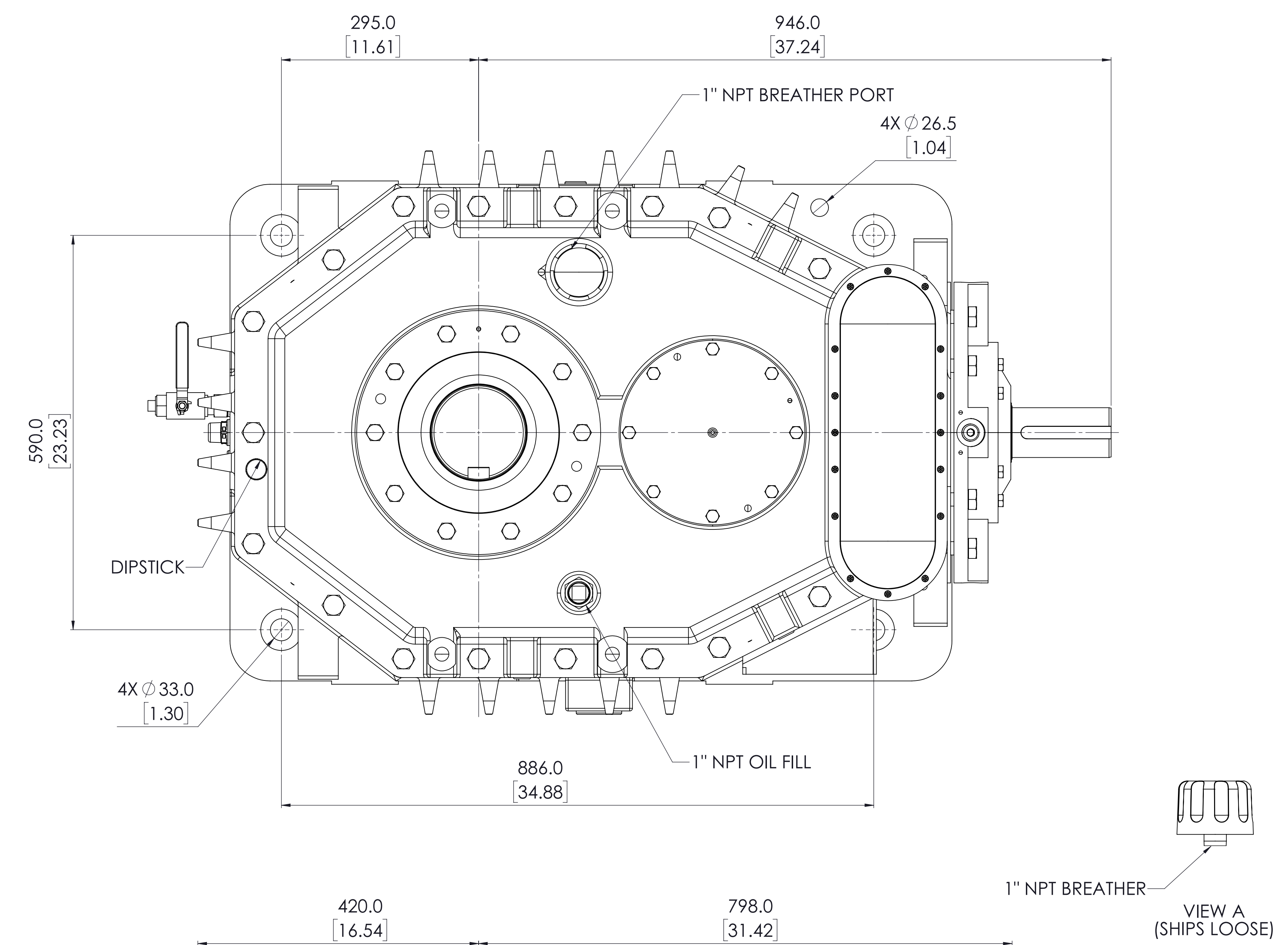
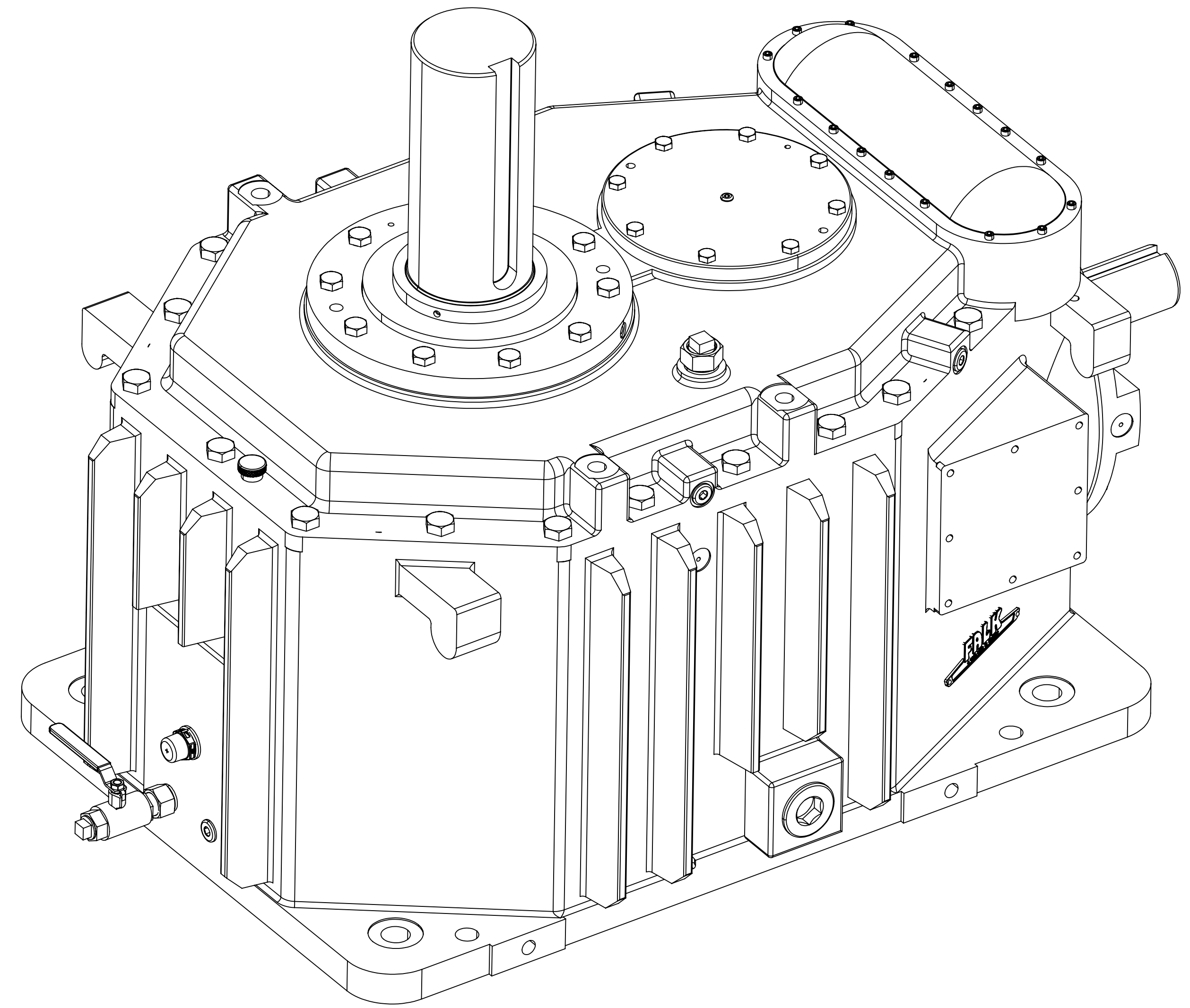
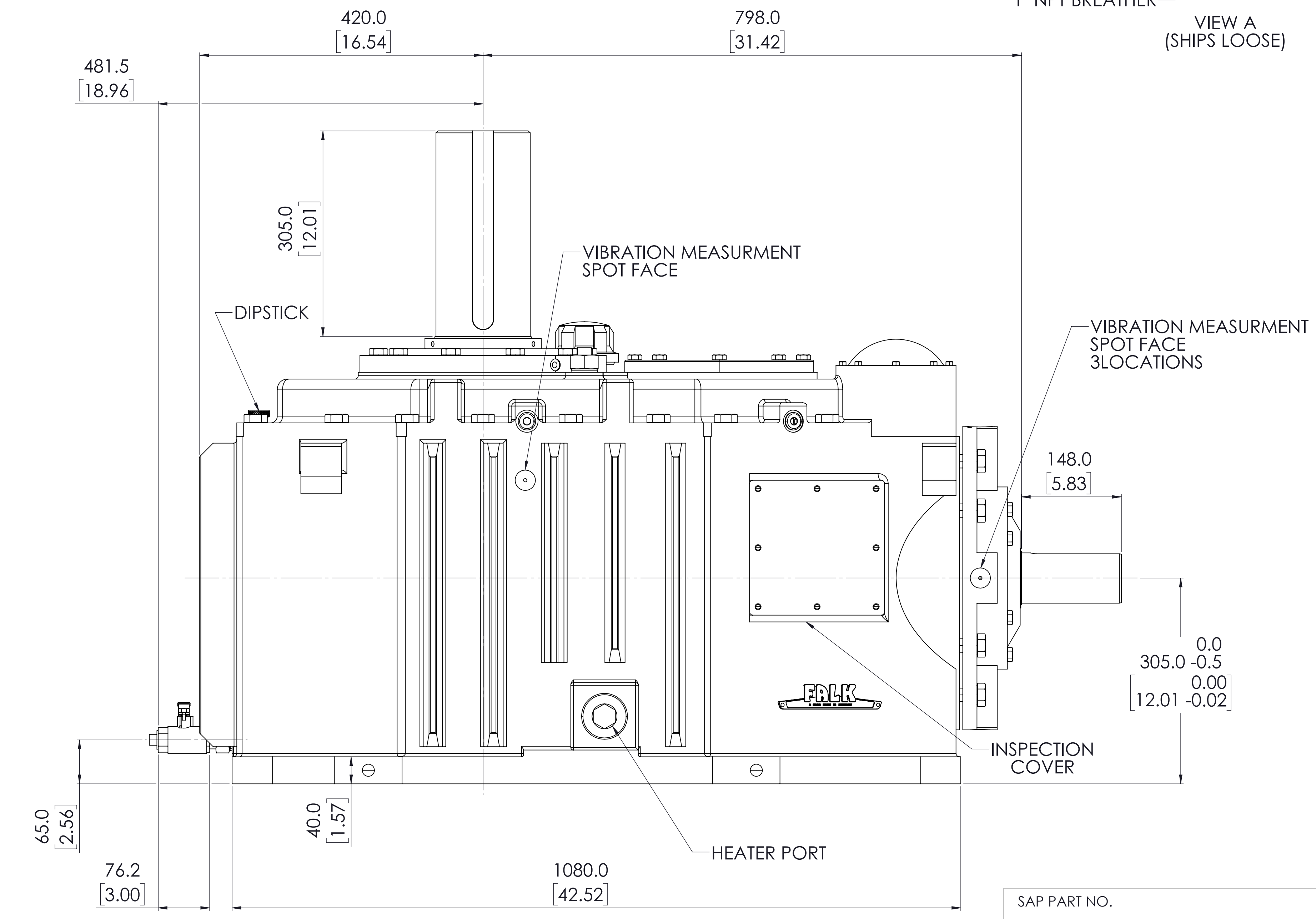
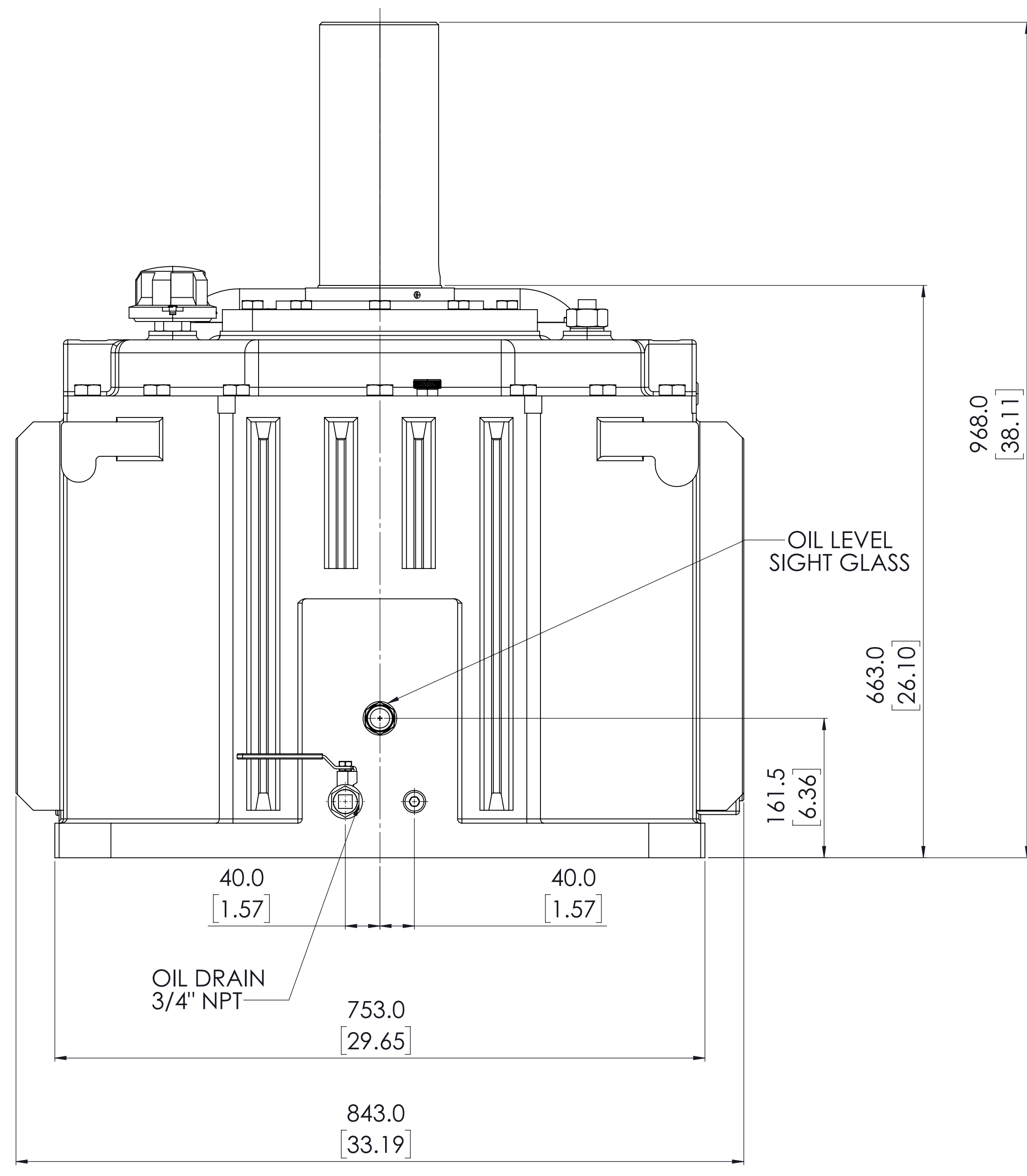


PART NAME	RGH. PART NO.	MATERIAL	HEAT TREATMENT	OIL QUANTITY	FINISH MASS
2350CTAC2AU-----				16.38 gal [62 L]	3.064 lbs [1.390 Kg]



SCALE
[1:2]



Nominal Ratio	Actual Ratio	Model No.	MATERIAL NO.	Service Power Rating	
				RPM	KW [HP]
11	11.20	2350CTAC2AU11.20	10822495	1,750 [291 [390]	241 [323]
12	11.93	2350CTAC2AU11.93	10822506	1,750 [256 [343]	212 [284]
12.5	12.61	2350CTAC2AU12.61	10822507	1,750 [248 [333]	241 [323]
13	13.07	2350CTAC2AU13.07	10822508	1,450 [200 [268]	231 [310]
14	13.92	2350CTAC2AU13.92	10822566	1,450 [192 [257]	186 [249]
15	14.74	2350CTAC2AU14.74	10822567	1,750 [224 [300]	219 [294]
15.5	15.39	2350CTAC2AU15.39	10822568	1,750 [213 [285]	176 [236]
16	16.22	2350CTAC2AU16.22	10822569	1,750 [203 [272]	168 [225]
17	17.19	2350CTAC2AU17.19	10822570	1,450 [176 [236]	195 [262]
18	17.93	2350CTAC2AU17.93	10822571	1,750 [162 [217]	186 [250]
19	18.93	2350CTAC2AU18.93	10822572	1,450 [154 [207]	180 [241]
20	20.03	2350CTAC2AU20.03	10822573	1,450 [149 [200]	

<p>MICRO METERS</p> <p>0.5 = 10</p> <p>0.25 = 10</p> <p>0.8 = 32</p> <p>1.3 = 50</p> <p>1.6 = 63</p> <p>3.2 = 125</p> <p>6.3 = 250</p>	<p>MICRO INCHES</p> <p>20</p> <p>10</p> <p>32</p> <p>50</p> <p>63</p> <p>125</p> <p>250</p>	<p>- UNLESS OTHERWISE SPECIFIED -</p> <p>DIMENSIONS ARE IN MILLIMETERS</p> <p>DIMENSIONS IN BRACKETS ' [] ' ARE IN INCHES</p> <p>UNTOLERANCED DIMENSIONS APPLIES TO MACHINED SURFACES ONLY</p> <p>TO 6mm [236] ± 0.1mm [004]</p> <p>OVER 6[236] TO 30mm [1,181] ± 0.2mm [008]</p> <p>OVER 30[1,181] TO 120mm [4,724] ± 0.3mm [012]</p> <p>OVER 120[4,724] TO 400mm [15,748] ± 0.5mm [020]</p> <p>OVER 400[15,748] TO 1000mm [39,370] ± 0.8mm [031]</p> <p>OVER 1000[39,370] TO 2000mm [78,740] ± 1.2mm [047]</p> <p>OVER 2000[78,740] TO 4000mm [157,480] ± 2.0mm [079]</p> <p>EDGE BREAKS ± 0.50 [020], ANGLES ± 1°</p>	<p>DESIGNER RCV</p> <p>ENGINEER</p> <p>MFG./PUR.</p> <p>DATE 04-14-2020</p> <p>SIMILAR TO</p> <p>SOLIDWORKS DRAWING DO NOT CHANGE MANUALLY</p>	<p>SAP PART NO.</p> <p>REXNORD INDUSTRIES, LLC</p> <p>www.rexnord.com</p> <p>ALL DRAWINGS ARE PROPERTY OF REXNORD INDUSTRIES LLC AND MAY NOT BE REPRODUCED, UTILIZED OR DISCLOSED FOR ANY PURPOSE EXCEPT AS AUTHORIZED IN WRITING BY REXNORD INDUSTRIES LLC. THESE COMMODITIES, TECHNOLOGY OR SOFTWARE ARE SUBJECT TO THE UNITED STATES EXPORT REGULATIONS. DIVERSION CONTRARY TO U.S. LAW AND OTHER RELEVANT EXPORT CONTROLS IS PROHIBITED. IT IS SUBJECT TO RETURN UPON DEMAND.</p> <p>TITLE: 2350CTAC2AU-----</p> <p>UNIT: 2350CTA BASE DRIVE</p> <p>SIZE A0</p> <p>SCALE 1:4</p> <p>SHEET 1 OF 1</p> <p>DWG. NO. 2350CTA2AU-----</p> <p>REV B</p>
--	---	---	--	---