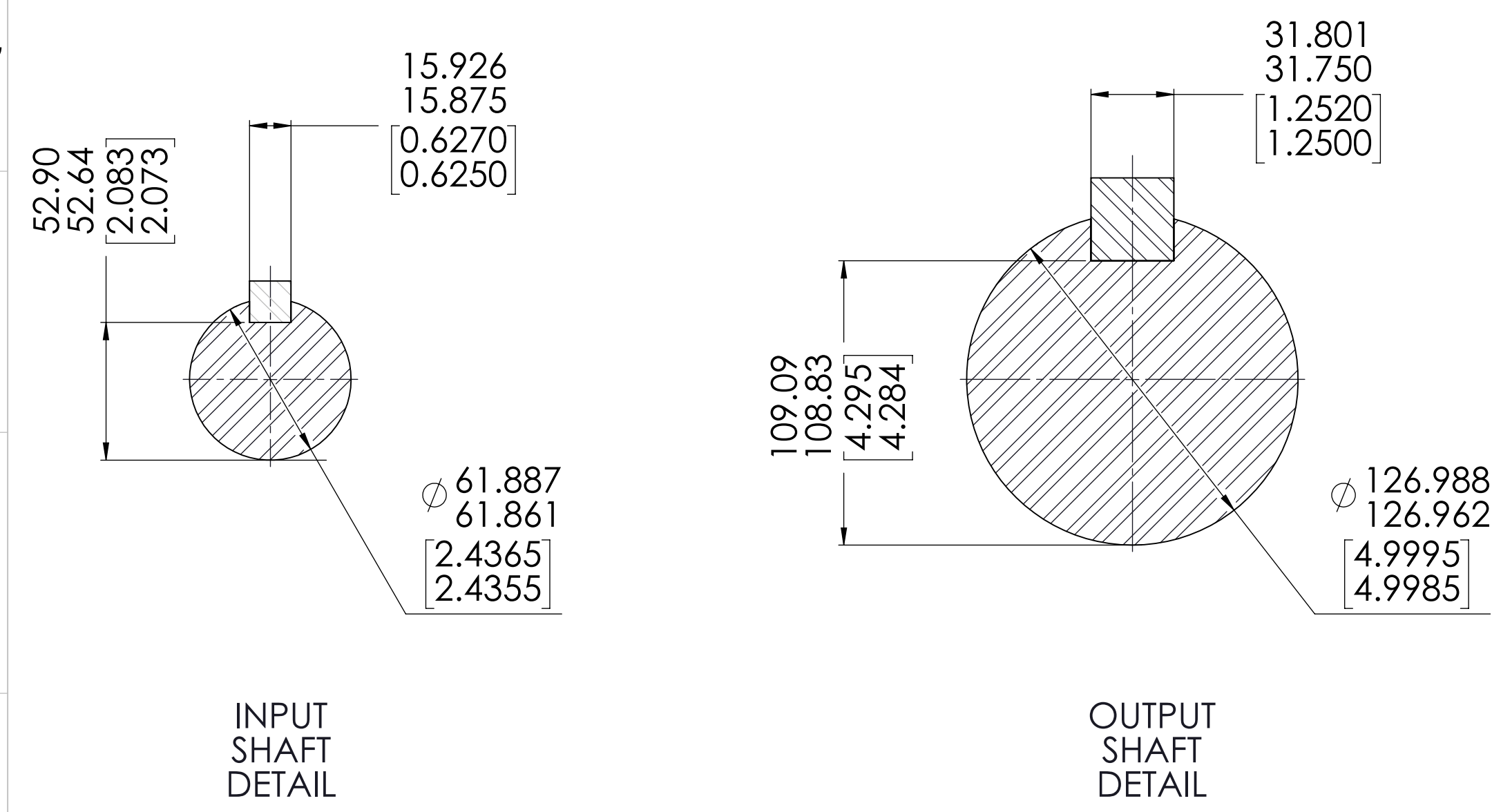
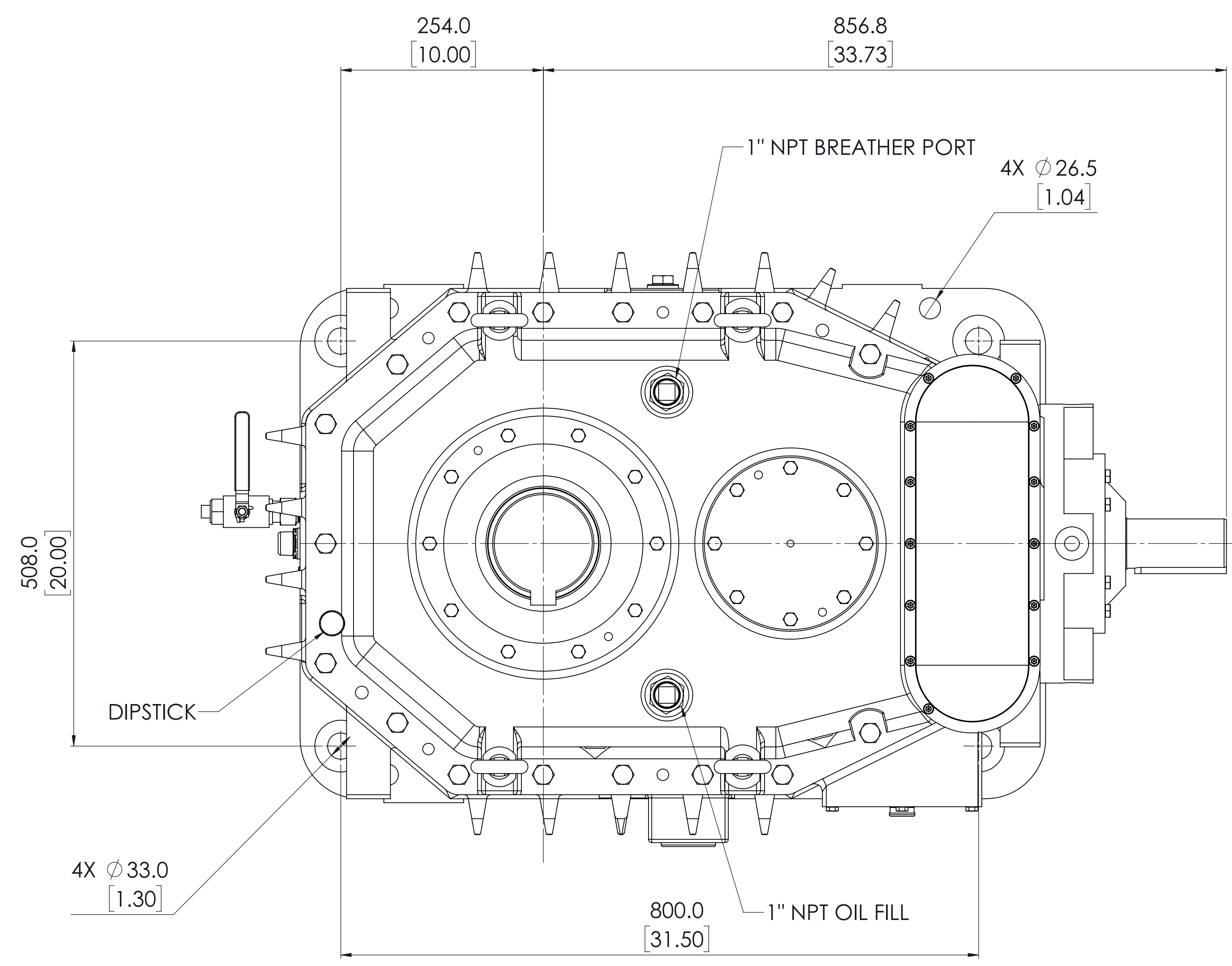
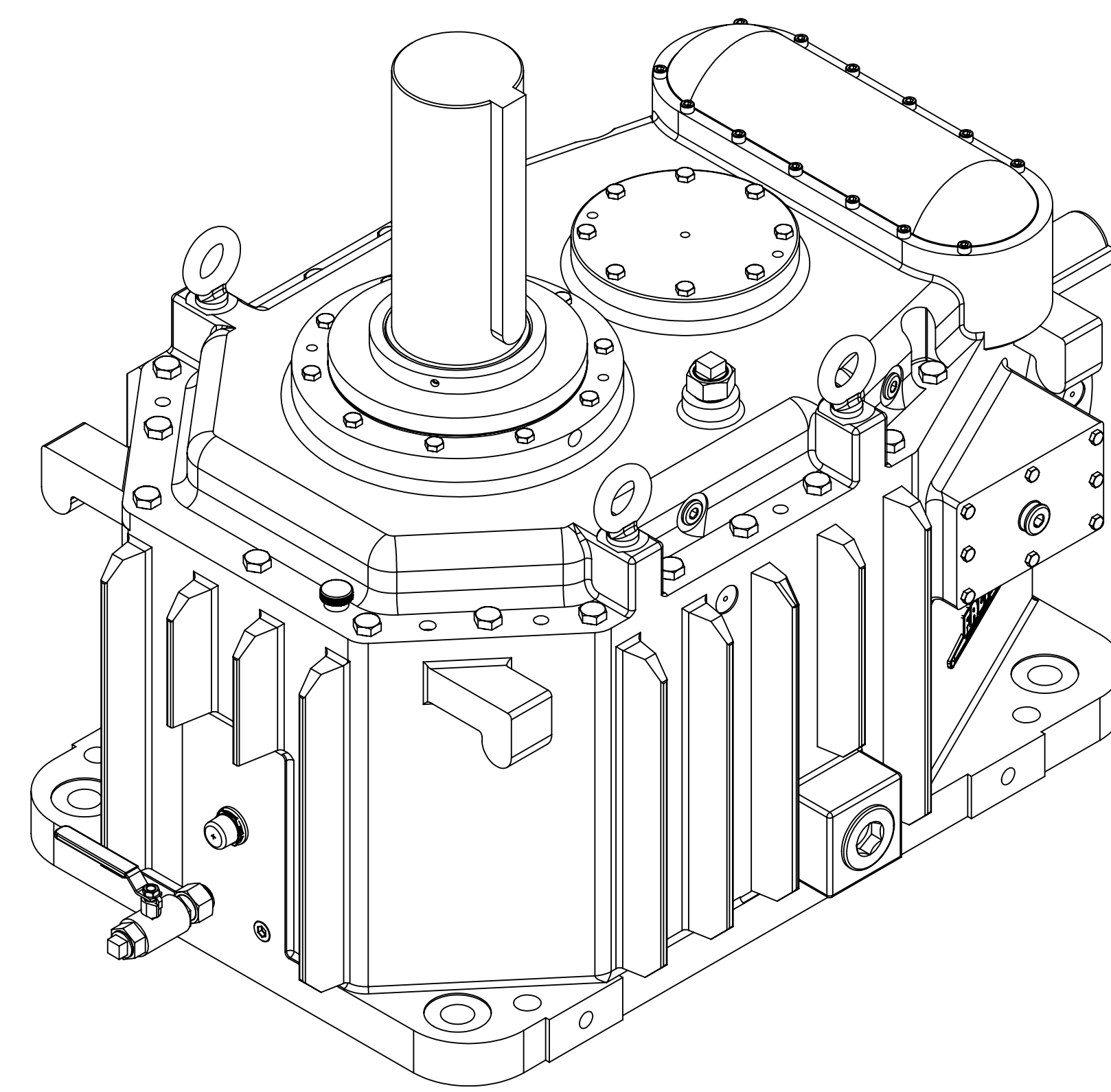
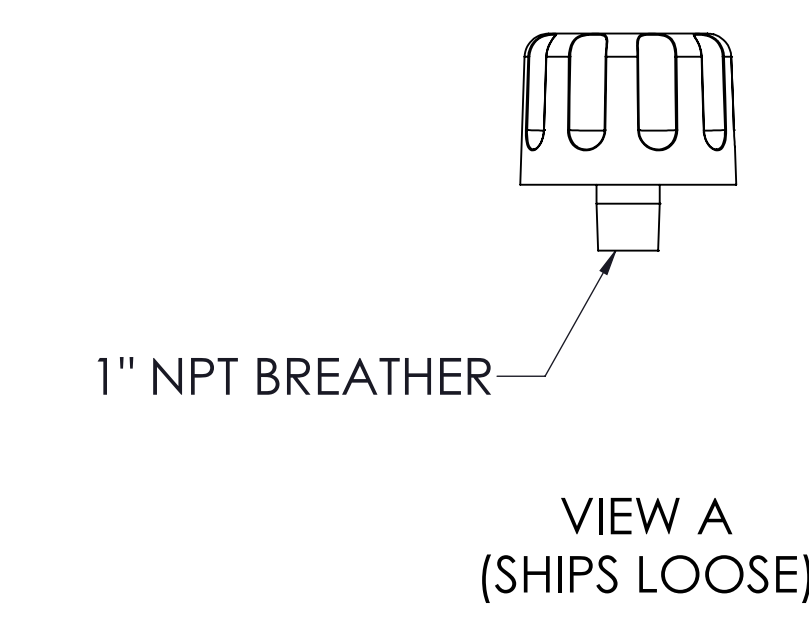
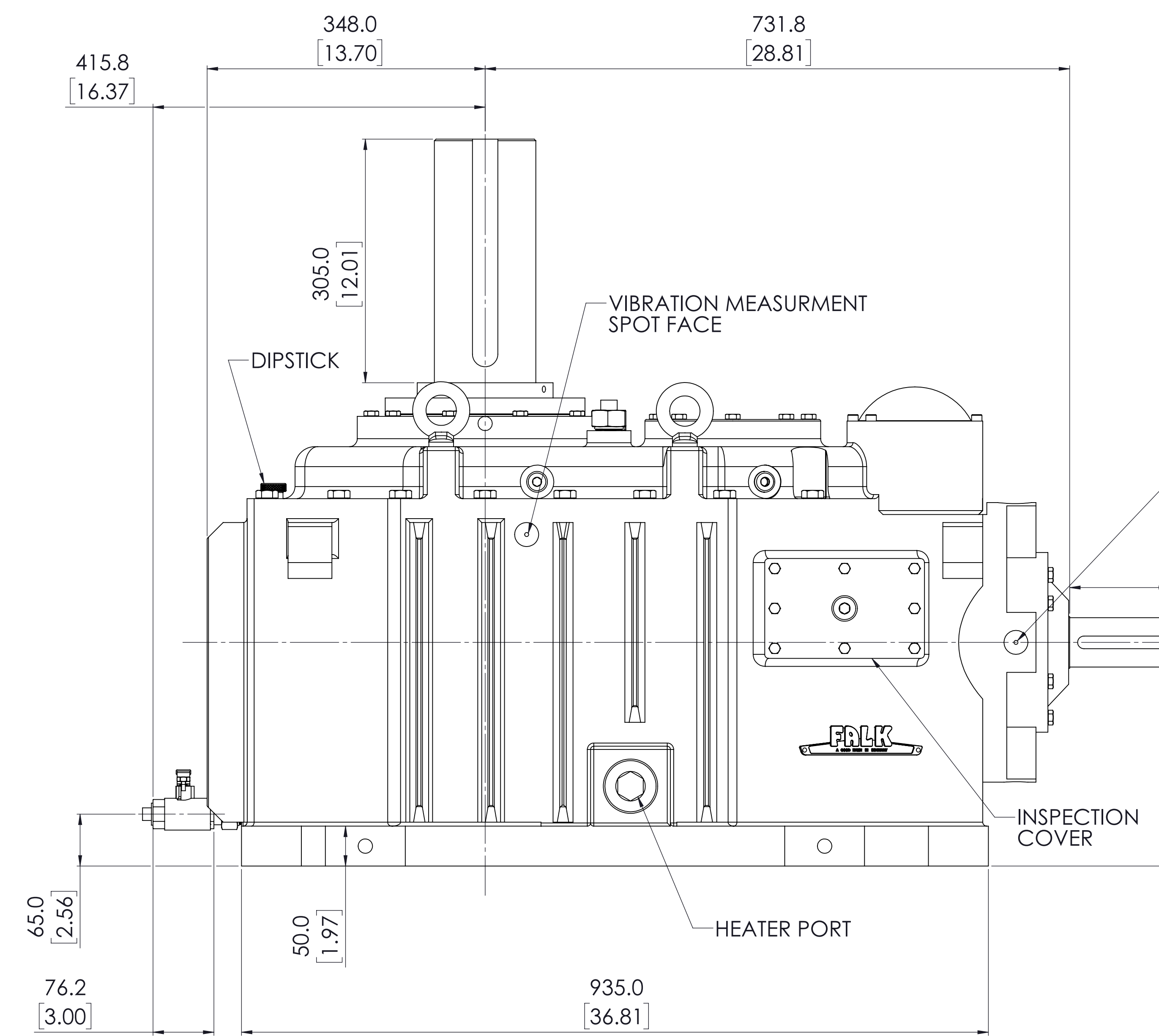
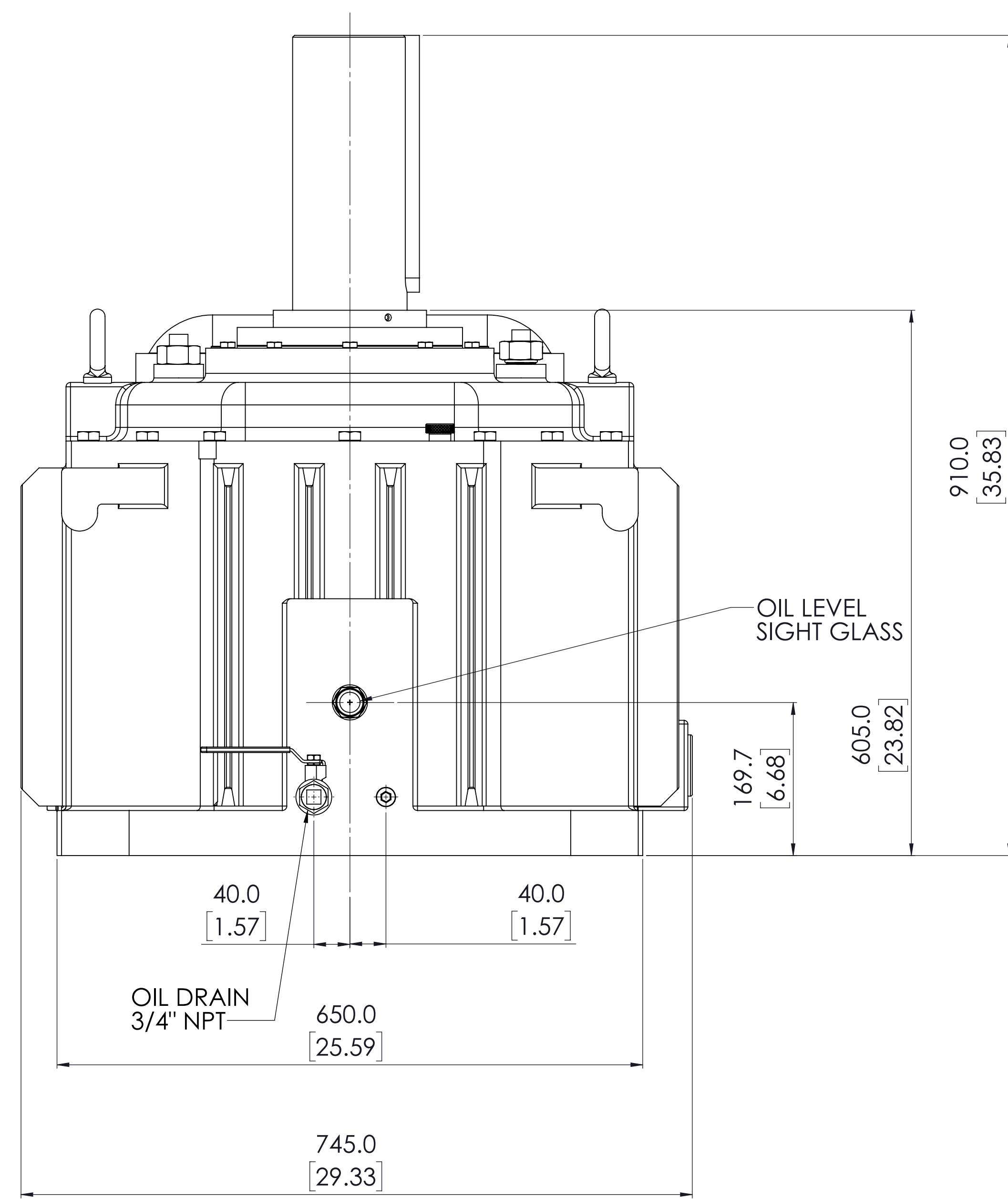


11	12	13	14	15	16	17	18	19	20	21	22	23	24
PART NAME				RGH. PART NO.		MATERIAL		HEAT TREATMENT		OIL QUANTITY		FINISH MASS	
2310CTAC2AU-----										13.21 gal [50L]		2,499 lbs [1,134 Kg]	



SCALE [1:2]

NOMINAL RATIO	ACTUAL RATIO	Model No.	MATERIAL NO.	SERVICE POWER RATING		
				RPM	KW [HP]	
9:1	9.043	2310CTAC2AU9.043	10735211	1430	193 [259]	
				1750	233 [312]	
10:1	10.17	2310CTAC2AU10.17	10735273	1430	179 [240]	
				1750	216 [290]	
10.5:1	10.67	2310CTAC2AU10.67	10735305	1430	172 [230]	
				1750	210 [281]	
11:1	11.16	2310CTAC2AU11.16	10735337	1430	169 [226]	
				1750	201 [270]	
12:1	12.00	2310CTAC2AU12.00	10735369	1430	158 [212]	
				1750	189 [253]	
12.5:1	12.55	2310CTAC2AU12.55	10735401	1430	159 [213]	
				1750	188 [252]	
13:1	13.05	2310CTAC2AU13.05	10735433	1430	150 [201]	
				1750	179 [240]	
14:1	14.22	2310CTAC2AU14.22	10735465	1430	140 [188]	
				1750	172 [231]	
15:1	15.09	2310CTAC2AU15.09	10735497	1430	132 [177]	
				1750	160 [214]	
15.5:1	15.50	2310CTAC2AU15.50	10735529	1430	128 [171]	
				1750	155 [208]	
16:1	16.00	2310CTAC2AU16.00	10735561	1430	125 [167]	
				1750	149 [200]	



MICRO METERS 0.5 = 20 0.25 = 10 0.8 = 32 1.3 = 50 1.6 = 63 3.2 = 125 6.3 = 250	- UNLESS OTHERWISE SPECIFIED - DIMENSIONS ARE IN MILLIMETERS DIMENSIONS IN BRACKETS ' [] ' ARE IN INCHES UNTOLERANCED DIMENSIONS APPLIES TO MACHINED SURFACES ONLY TO 6mm [236] ± 0.1mm [004] OVER 6[.236] TO 30mm [1.181] ± 0.2mm [008] OVER 30[1.181] TO 120mm [4.724] ± 0.3mm [012] OVER 120[4.724] TO 400mm [15.748] ± 0.5mm [020] OVER 400[15.748] TO 1000mm [39.370] ± 0.8mm [031] OVER 1000[39.370] TO 2000mm [78.740] ± 1.2mm [047] OVER 2000[78.740] TO 4000mm [157.480] ± 2.0mm [079] EDGE BREAKS ± 0.50 [020], ANGLES ± 1°	C RCV 11-25-2021 B RCV 03-26-2021 A ELS 02-06-2020	DESIGNER E. SCHAEFER ENGINEER E. SCHAEFER MFG./PUR. DATE 07-01-2019 SIMILAR TO	SAP PART NO. REXNORD INDUSTRIES, LLC www.rexnord.com ALL DRAWINGS ARE PROPERTY OF REXNORD INDUSTRIES LLC AND MAY NOT BE REPRODUCED, UTILIZED OR DISCLOSED FOR ANY PURPOSE EXCEPT AS AUTHORIZED IN WRITING BY REXNORD INDUSTRIES LLC. THESE COMMODITIES, TECHNOLOGY OR SOFTWARE ARE SUBJECT TO THE UNITED STATES EXPORT REGULATIONS. DIVERSION CONTRARY TO U.S. LAW AND OTHER RELEVANT EXPORT CONTROLS IS PROHIBITED. IT IS SUBJECT TO RETURN UPON DEMAND. TITLE: 2310CTAC2AU----- UNIT: 2310CTA BASE DRIVE SIZE: A0 SCALE: 1:4 DWG. NO.: 2310CTA2AU----- REV. C SHEET 1 OF 2
		SOLIDWORKS DRAWING DO NOT CHANGE MANUALLY		