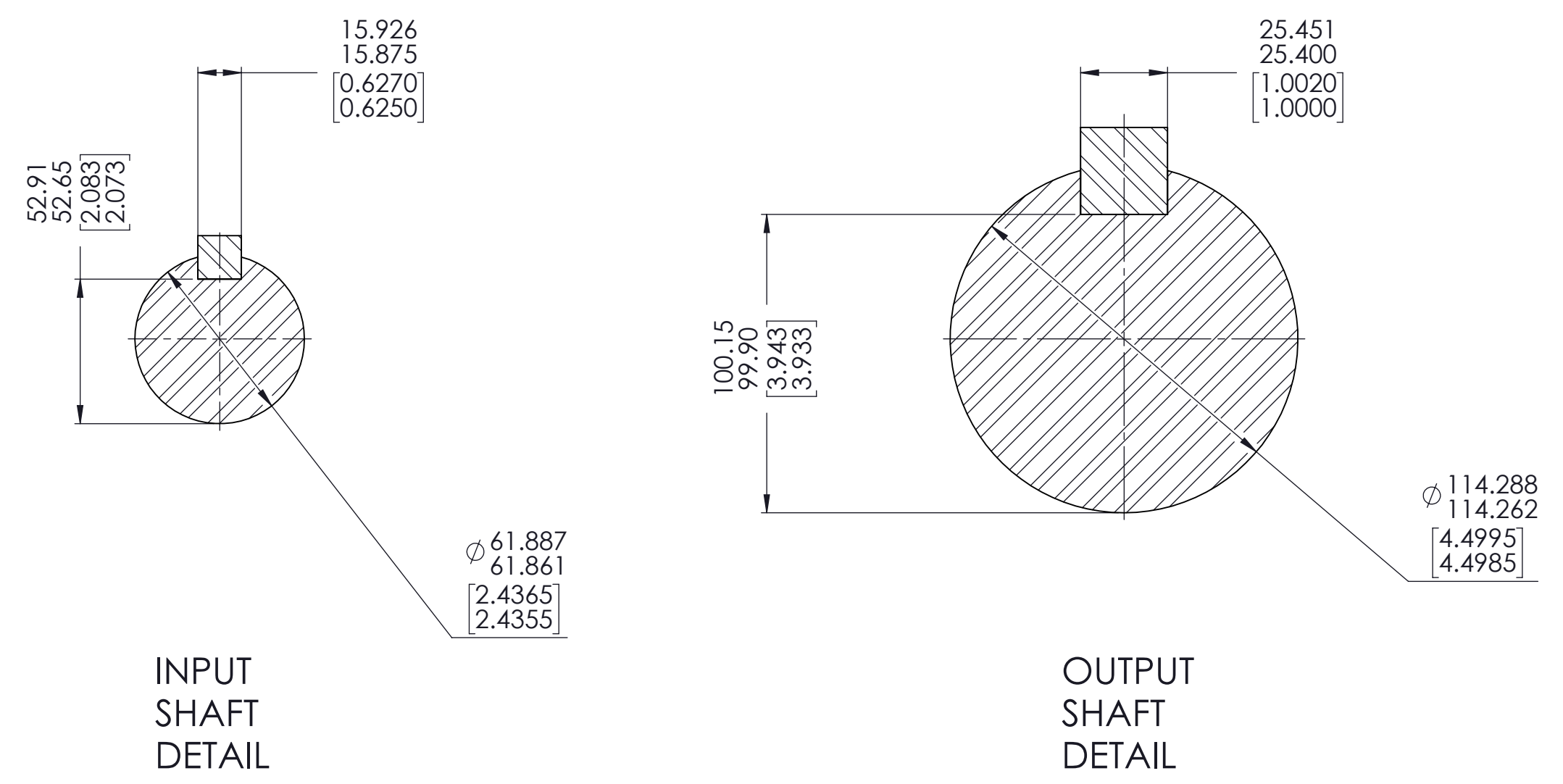
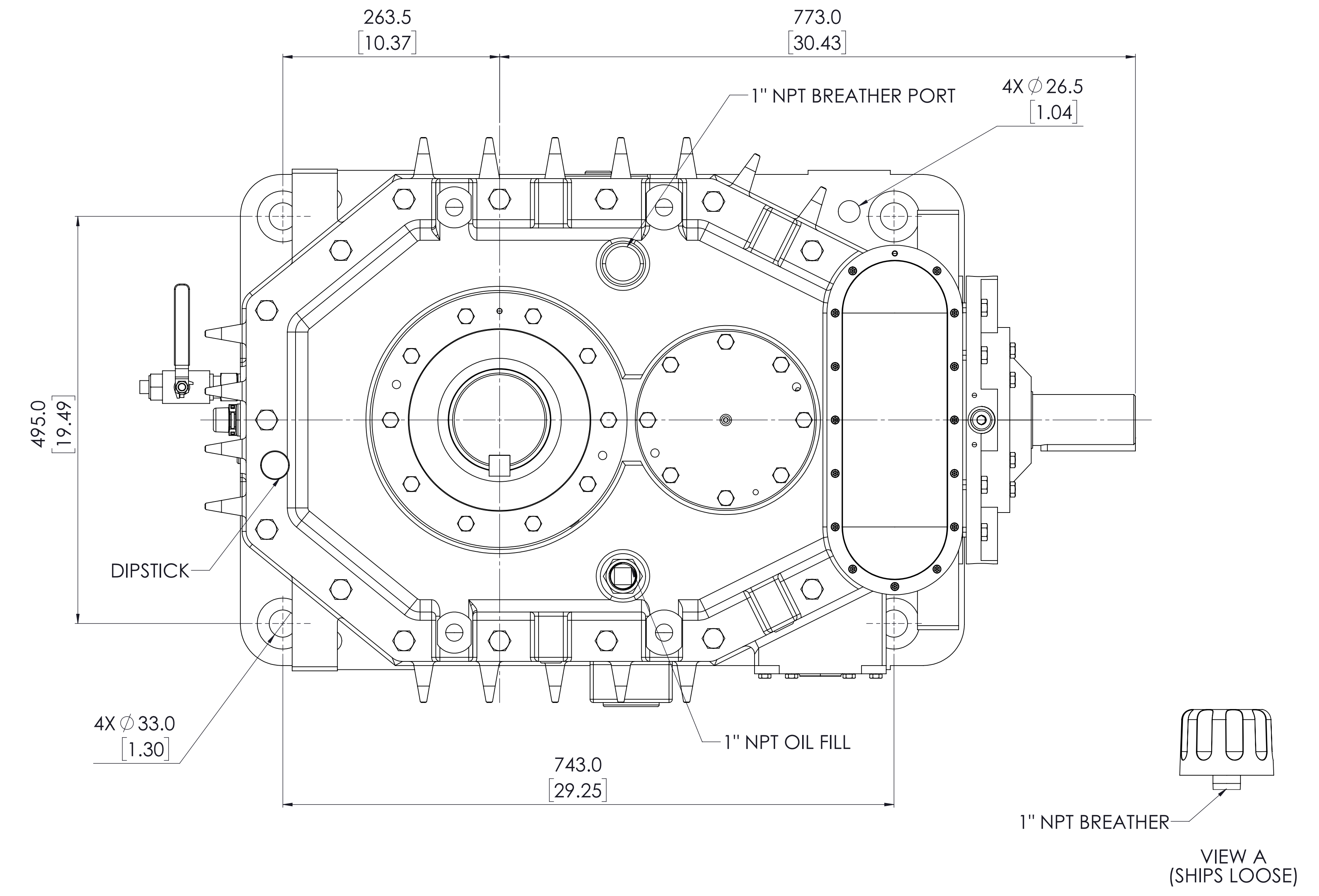
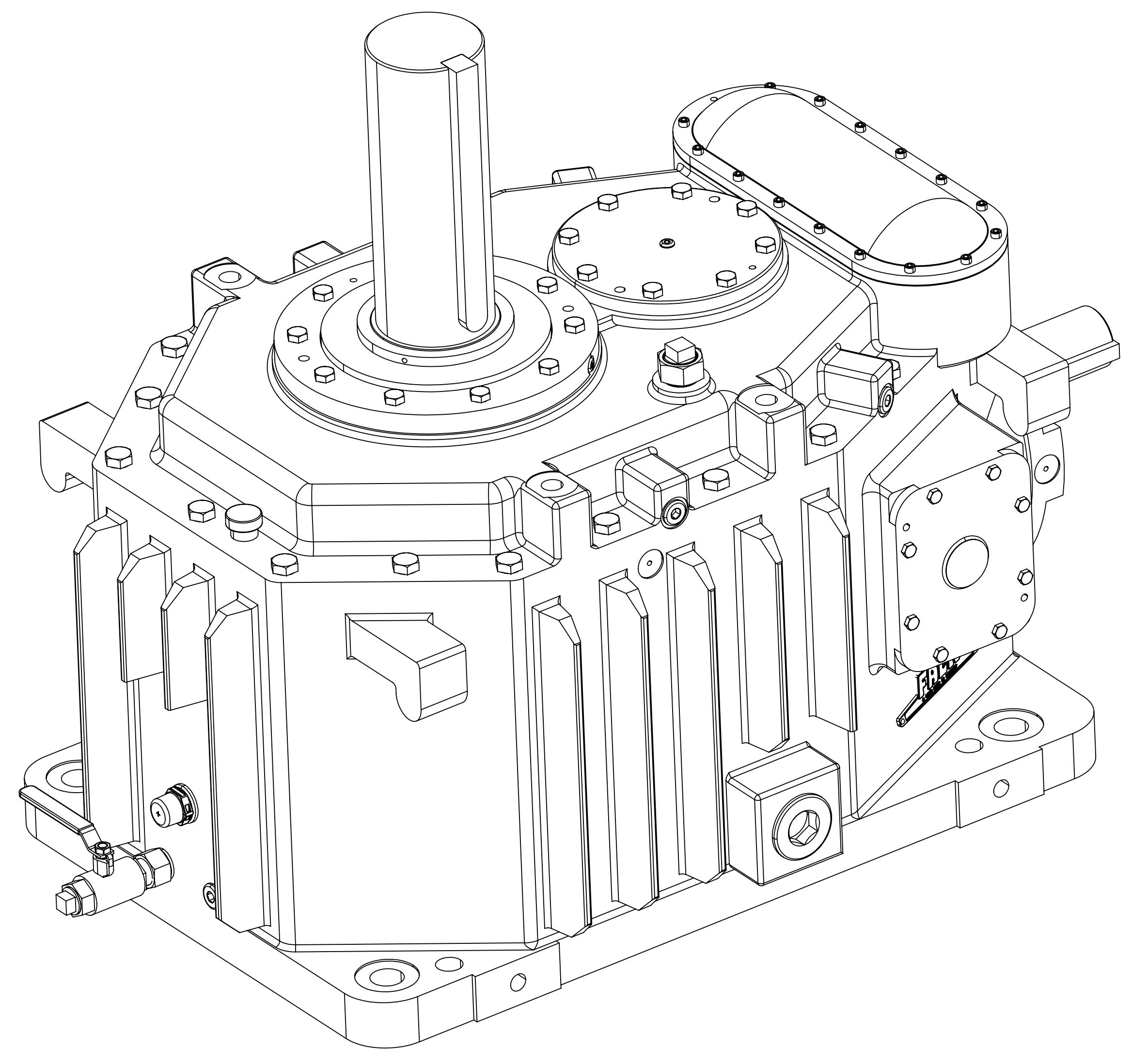
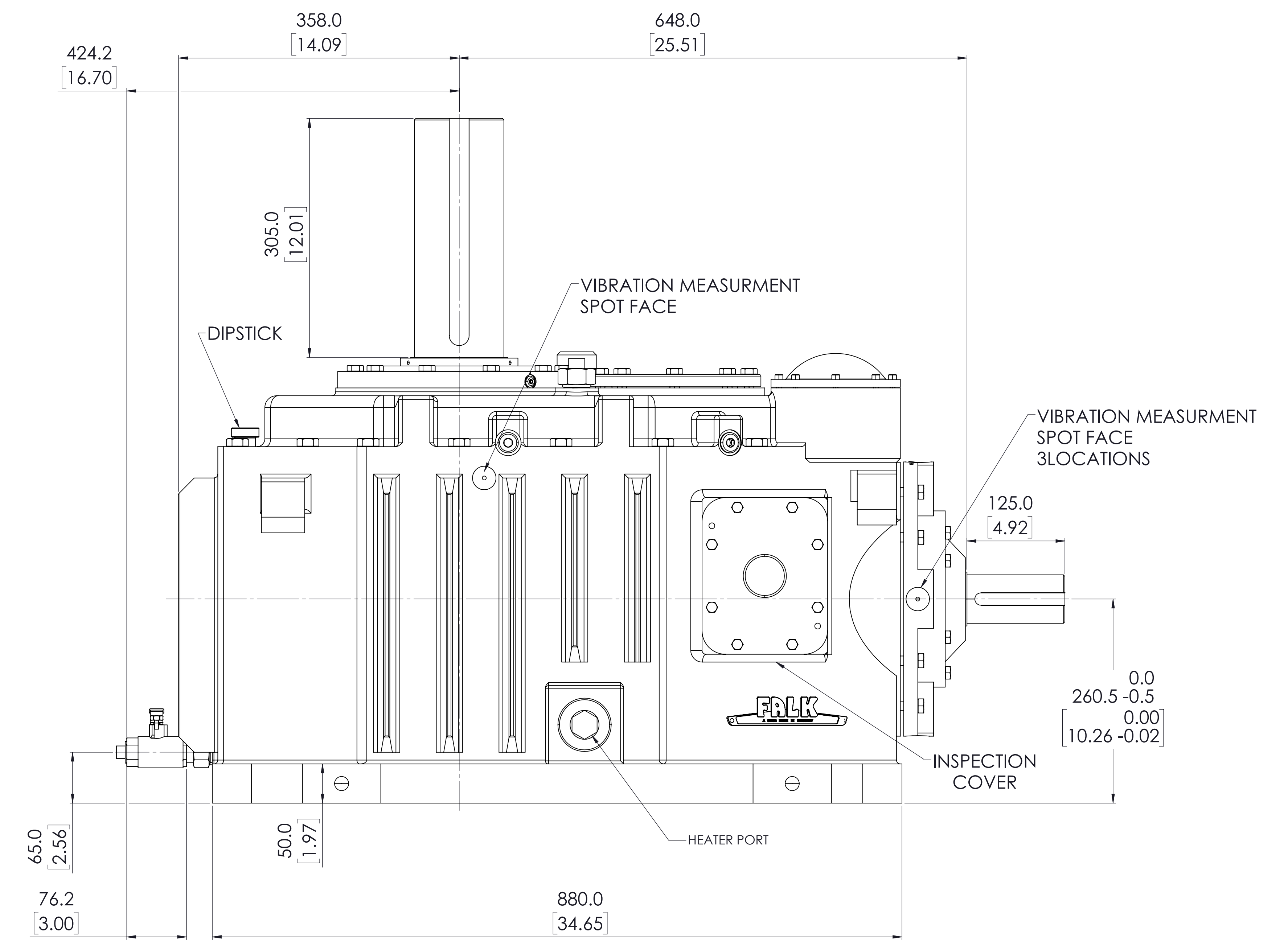
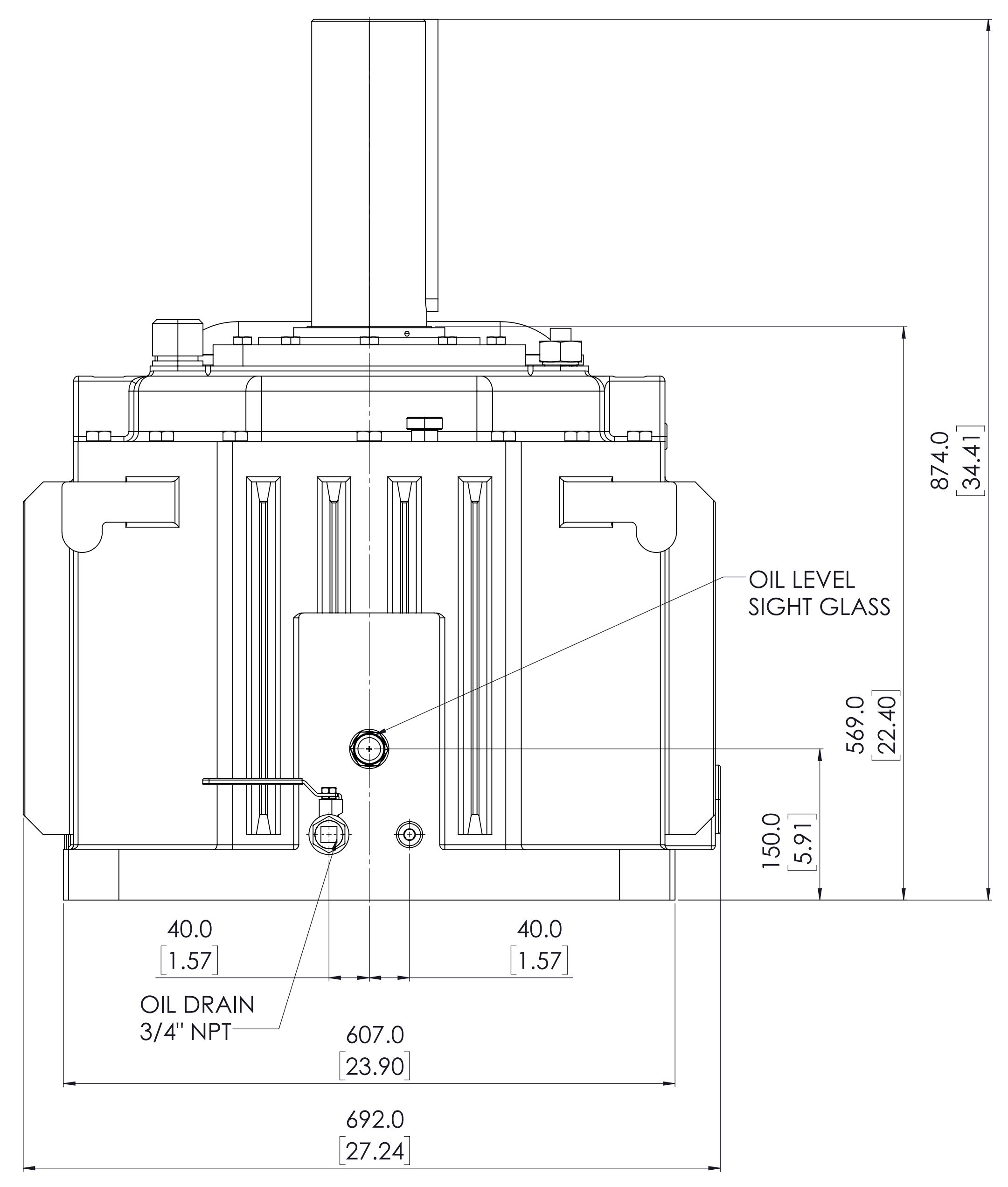


11	12	13	14	15	16	17	18	19	20	21	22	23	24
PART NAME				RGH. PART NO.		MATERIAL		HEAT TREATMENT		OIL QUANTITY		FINISH MASS	
2275CTAC2AU-----										9.25 gal [35 L]		1,940 lbs [880 Kg]	



SCALE [1:2]



Nominal Ratio	Actual Ratio	Model No.	MATERIAL NO.	Service Power Rating	
				RPM	KW [HP]
8	8.026	2275CTAC2AU8.026	10822492	1,750	156 [210]
8.5	8.528	2275CTAC2AU8.528	10822493	1,450	130 [174]
9	9.191	2275CTAC2AU9.191	10822494	1,450	155 [208]
9.5	9.529	2275CTAC2AU9.529	10822696	1,450	128 [172]
10	10.13	2275CTAC2AU10.13	10822697	1,750	154 [206]
10.5	10.42	2275CTAC2AU10.42	10822698	1,450	127 [171]
11	11.12	2275CTAC2AU11.12	10822699	1,750	148 [198]
12	11.81	2275CTAC2AU11.81	10822700	1,450	122 [164]
13	13.20	2275CTAC2AU13.20	10822701	1,750	142 [190]
14	14.03	2275CTAC2AU14.03	10822702	1,450	117 [157]
15	15.12	2275CTAC2AU15.12	10822703	1,750	136 [183]
17	17.15	2275CTAC2AU17.15	10822704	1,450	113 [151]
				1,750	131 [176]
				1,450	109 [146]
				1,750	123 [165]
				1,450	102 [137]
				1,750	119 [160]
				1,450	99 [133]
				1,750	115 [155]
				1,450	95 [128]
				1,750	112 [150]
				1,450	92 [124]
				1,750	102 [137]
				1,450	85 [114]

MICRO METERS 0.5 = 10 0.25 = 10 0.8 = 32 1.3 = 50 1.6 = 63 3.2 = 125 6.3 = 250	MICRO INCHES 20 10 32 50 63 125 250	- UNLESS OTHERWISE SPECIFIED - DIMENSIONS ARE IN MILLIMETERS DIMENSIONS IN BRACKETS ' [] ' ARE IN INCHES UNTOLERANCED DIMENSIONS APPLIES TO MACHINED SURFACES ONLY OVER 6[.236] TO 30mm[1.181] ± 0.1mm[.004] OVER 30[1.181] TO 120mm[4.724] ± 0.2mm[.008] OVER 120[4.724] TO 400mm[15.748] ± 0.3mm[.012] OVER 400[15.748] TO 1000mm[39.370] ± 0.5mm[.020] OVER 1000[39.370] TO 2000mm[78.740] ± 1.2mm[.047] OVER 2000[78.740] TO 4000mm[157.480] ± 2.0mm[.079] EDGE BREAKS ± 0.50[.020], ANGLES ± 1°		DESIGNER RCV ENGINEER MFG./PUR. DATE 04-14-2020 SIMILAR TO	SAP PART NO. REXNORD INDUSTRIES, LLC www.rexnord.com ALL DRAWINGS ARE PROPERTY OF REXNORD INDUSTRIES LLC AND MAY NOT BE REPRODUCED, UTILIZED OR DISCLOSED FOR ANY PURPOSE EXCEPT AS AUTHORIZED IN WRITING BY REXNORD INDUSTRIES LLC. THESE COMMODITIES, TECHNOLOGY OR SOFTWARE ARE SUBJECT TO THE UNITED STATES EXPORT REGULATIONS. DIVERSION CONTRARY TO U.S. LAW AND OTHER RELEVANT EXPORT CONTROLS IS PROHIBITED. IT IS SUBJECT TO RETURN UPON DEMAND. TITLE: 2275CTAC2AU----- 2275CTA BASE DRIVE UNIT: SIZE A0 SCALE 1:3.5 DWG. NO. 2275CTA2AU----- REV. B SHEET 1 OF 1
---	--	--	--	--	---