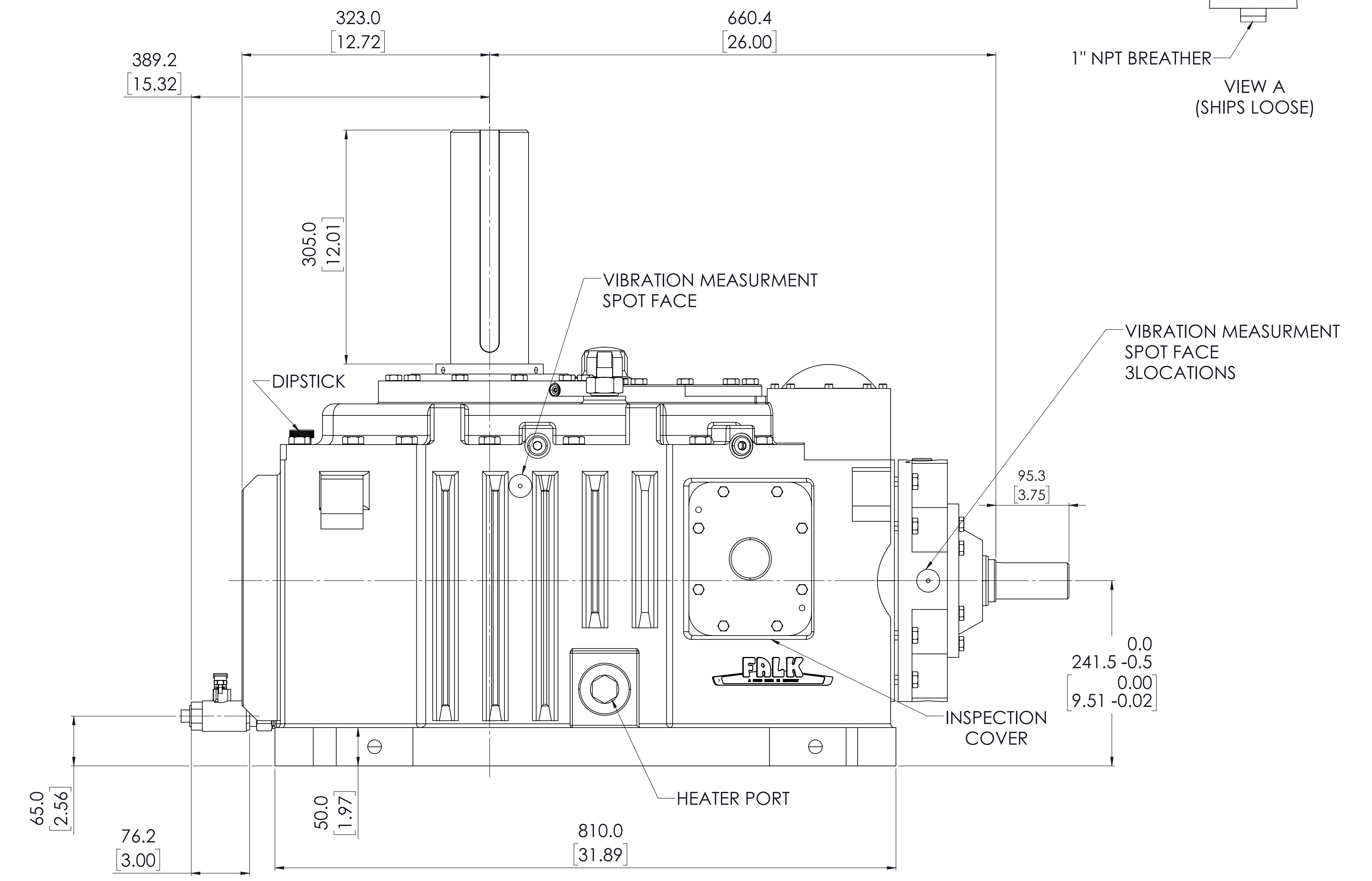
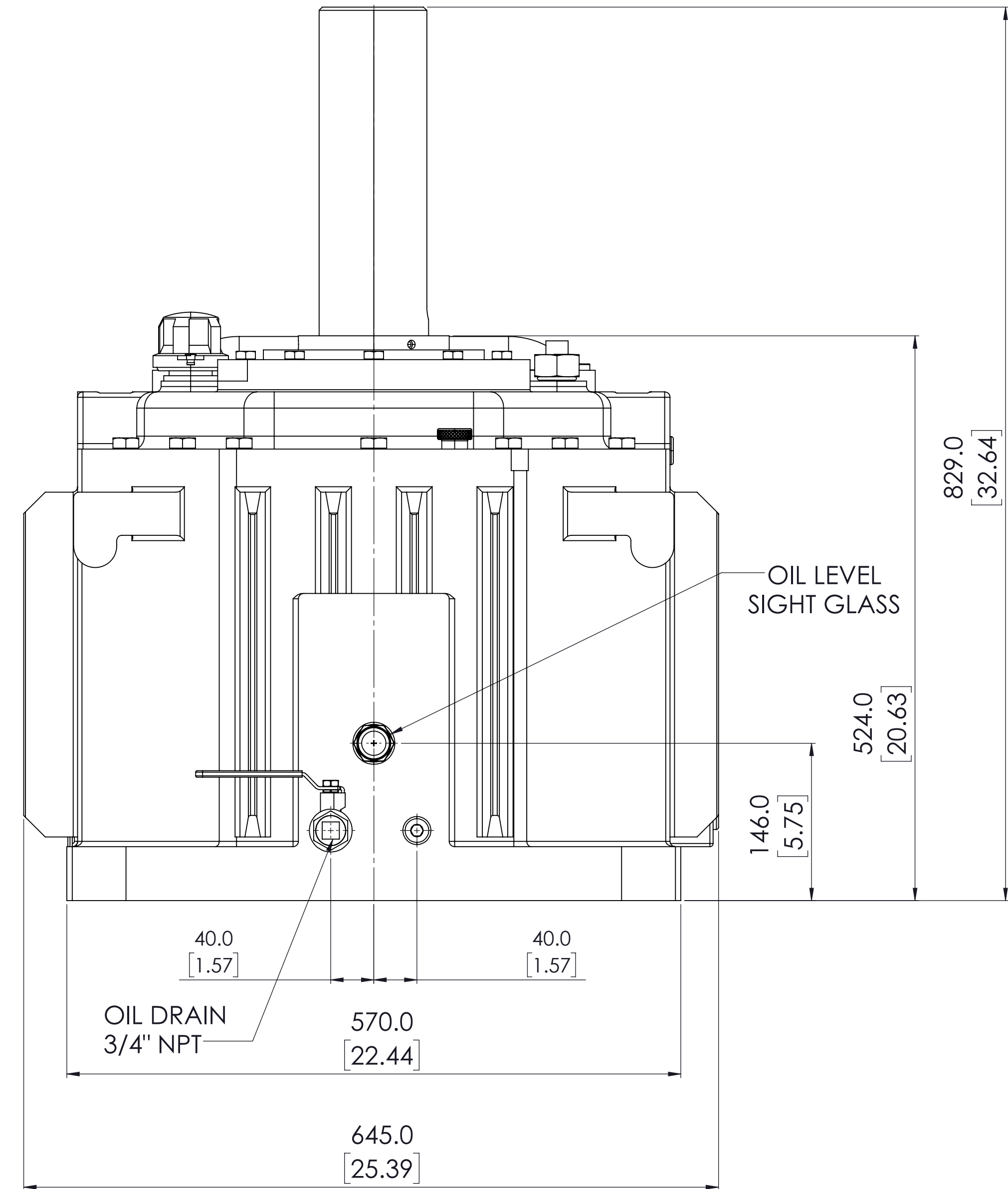
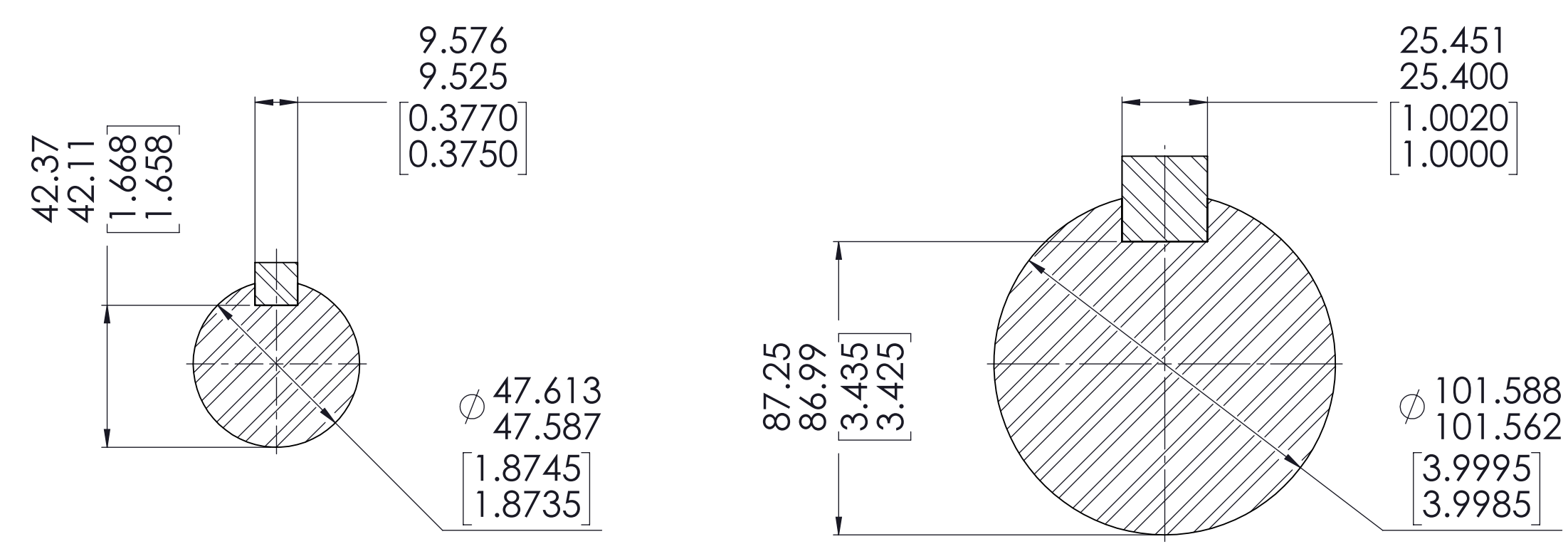
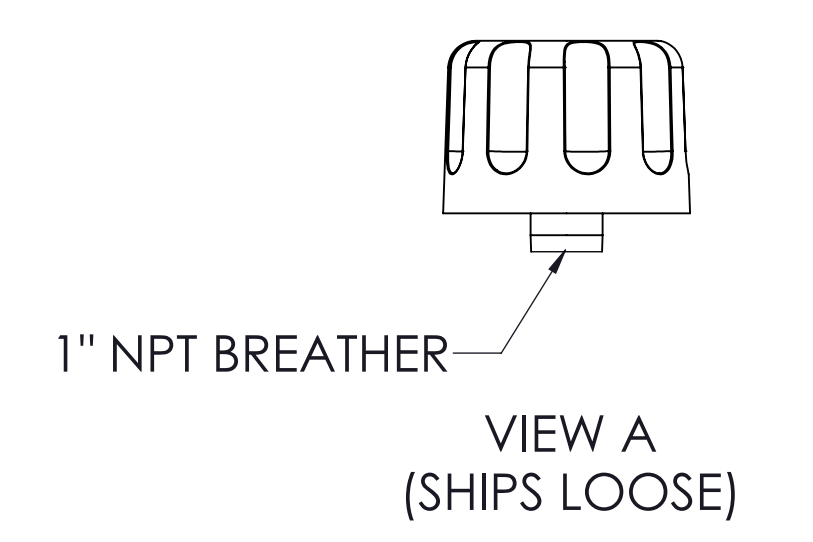
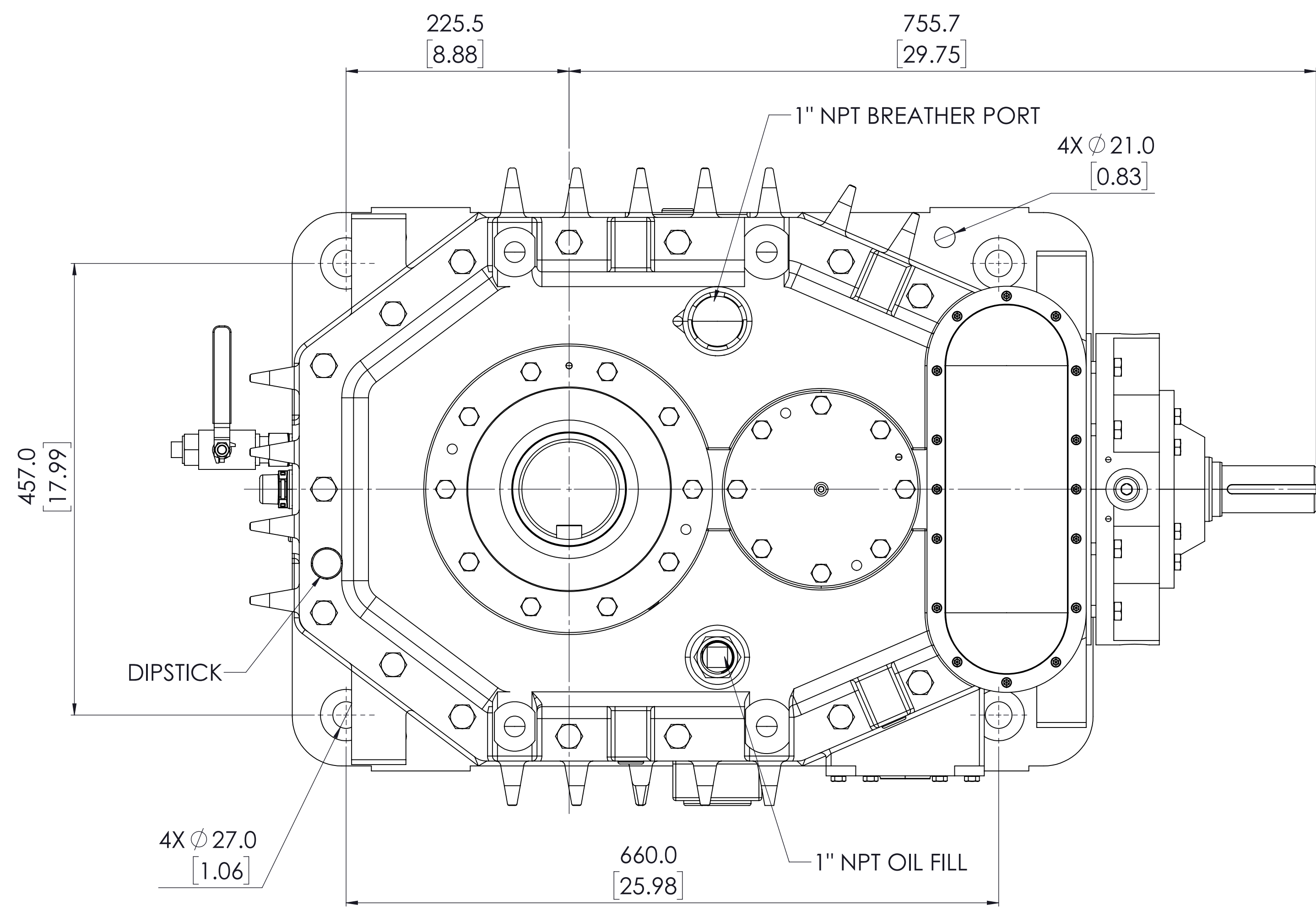
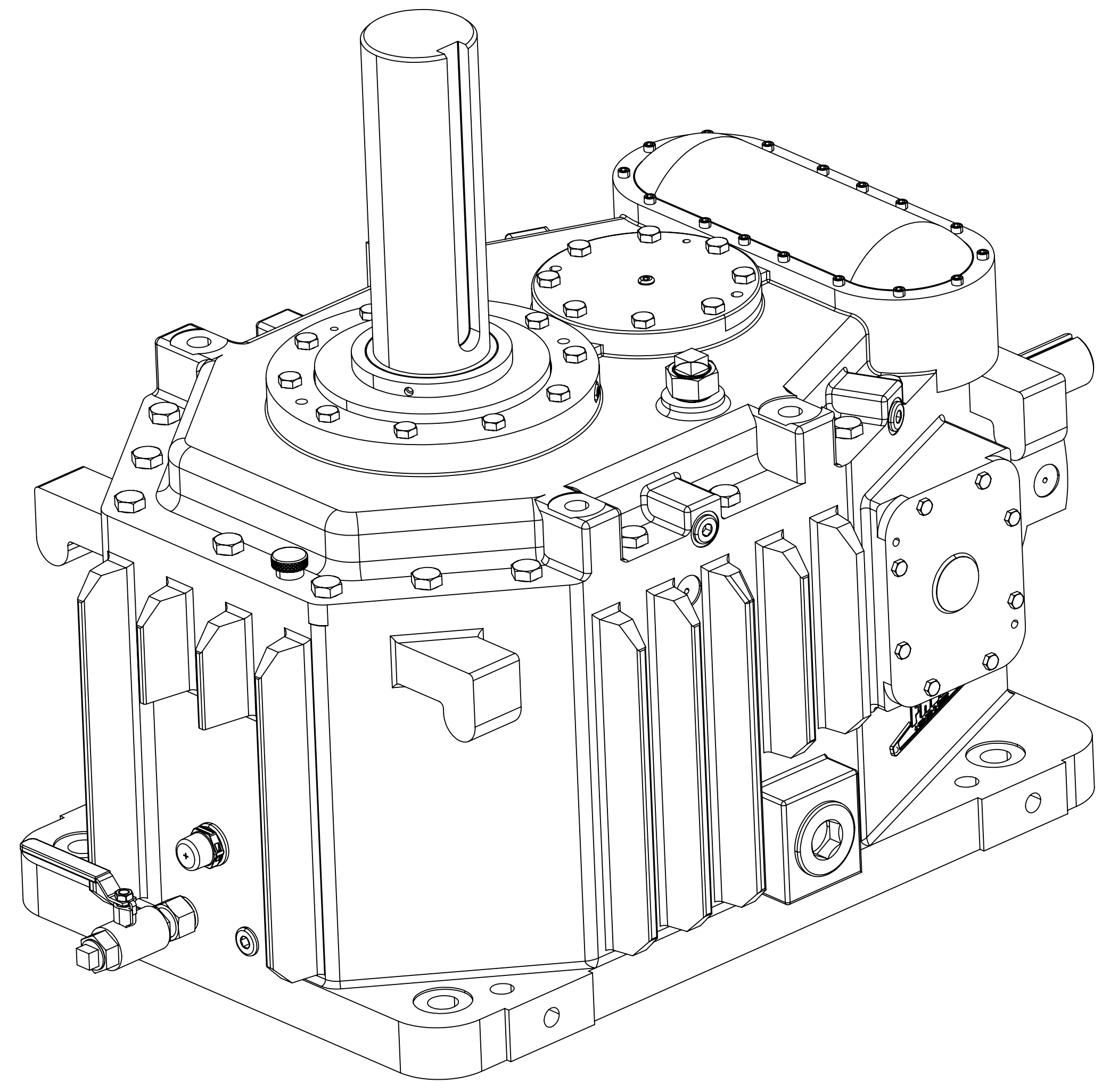


| | | | | | | | | | | | | | |
|------------------|----|----|----|---------------|----|----------|----|----------------|----|-----------------|----|--------------------|----|
| 11 | 12 | 13 | 14 | 15 | 16 | 17 | 18 | 19 | 20 | 21 | 22 | 23 | 24 |
| PART NAME | | | | RGH. PART NO. | | MATERIAL | | HEAT TREATMENT | | OIL QUANTITY | | FINISH MASS | |
| 2255CTAC2AU----- | | | | | | | | | | 7.40 gal [28 L] | | 1,653 lbs [750 kg] | |



SCALE [1:2]

| Nominal Ratio | Actual Ratio | Model No. | MATERIAL NO. | Service Power Rating | |
|---------------|--------------|------------------|--------------|----------------------|-----------|
| | | | | RPM | KW [HP] |
| 7.5 | 7.579 | 2255CTAC2AU7.579 | 10822475 | 1,750 | 106 [142] |
| 8 | 8.030 | 2255CTAC2AU8.030 | 10822490 | 1,450 | 88 [118] |
| 8.5 | 8.526 | 2255CTAC2AU8.526 | 10822491 | 1,750 | 106 [142] |
| 9 | 9.000 | 2255CTAC2AU9.000 | 10822523 | 1,450 | 88 [118] |
| 9.5 | 9.536 | 2255CTAC2AU9.536 | 10822524 | 1,750 | 105 [141] |
| 10 | 10.13 | 2255CTAC2AU10.13 | 10822680 | 1,450 | 87 [117] |
| 10.5 | 10.50 | 2255CTAC2AU10.50 | 10822681 | 1,750 | 104 [140] |
| 11 | 11.13 | 2255CTAC2AU11.13 | 10822682 | 1,450 | 86 [116] |
| 12 | 12.25 | 2255CTAC2AU12.25 | 10822683 | 1,750 | 101 [135] |
| 13 | 12.98 | 2255CTAC2AU12.98 | 10822684 | 1,450 | 83 [112] |
| 14 | 13.78 | 2255CTAC2AU13.78 | 10822685 | 1,750 | 97 [130] |
| | | | | 1,450 | 80 [108] |
| | | | | 1,750 | 97 [130] |
| | | | | 1,450 | 80 [108] |
| | | | | 1,750 | 93 [125] |
| | | | | 1,450 | 77 [104] |
| | | | | 1,750 | 93 [125] |
| | | | | 1,450 | 77 [104] |
| | | | | 1,750 | 83 [120] |
| | | | | 1,450 | 74 [99] |

| | | | | | |
|--------------|--------------|--|--|------------|------------|
| MICRO METERS | MICRO INCHES | - UNLESS OTHERWISE SPECIFIED - DIMENSIONS ARE IN MILLIMETERS DIMENSIONS IN BRACKETS ' [] ' ARE IN INCHES UNTOLERANCED DIMENSIONS APPLIES TO MACHINED SURFACES ONLY TO 6mm[.236] ± 0.1mm[.004] OVER 6[.236] TO 30mm[1.181] ± 0.2mm[.008] OVER 30[1.181] TO 120mm[4.724] ± 0.3mm[.012] OVER 120[4.724] TO 400mm[15.748] ± 0.5mm[.020] OVER 400[15.748] TO 1000mm[39.370] ± 0.8mm[.031] OVER 1000[39.370] TO 2000mm[78.740] ± 1.2mm[.047] OVER 2000[78.740] TO 4000mm[157.480] ± 2.0mm[.079] EDGE BREAKS ± 0.50[.020], ANGLES ± 1° | | DESIGNER | RCV |
| 0.5 | 20 | | | ENGINEER | |
| 0.25 | 10 | | | MFG./PUR. | |
| 0.8 | 32 | | | DATE | 04-08-2020 |
| 1.3 | 50 | | | SIMILAR TO | |
| 1.6 | 63 | | | | |
| 3.2 | 125 | | | | |
| 6.3 | 250 | | | | |
| | | | | | |
| | | | | | |

SAP PART NO.

FALK REXNORD INDUSTRIES, LLC
www.rexnord.com

ALL DRAWINGS ARE PROPERTY OF REXNORD INDUSTRIES LLC AND MAY NOT BE REPRODUCED, UTILIZED OR DISCLOSED FOR ANY PURPOSE EXCEPT AS AUTHORIZED IN WRITING BY REXNORD INDUSTRIES LLC. THESE COMMODITIES, TECHNOLOGY OR SOFTWARE ARE SUBJECT TO THE UNITED STATES EXPORT REGULATIONS. DIVERSION CONTRARY TO U.S. LAW AND OTHER RELEVANT EXPORT CONTROLS IS PROHIBITED. IT IS SUBJECT TO RETURN UPON DEMAND.

TITLE: 2255CTAC2AU-----
UNIT: 2255CTA BASE DRIVE

SIZE A0 SCALE 1:3.5 DWG. NO. 2255CTA2AU----- REV B
SHEET 1 OF 1