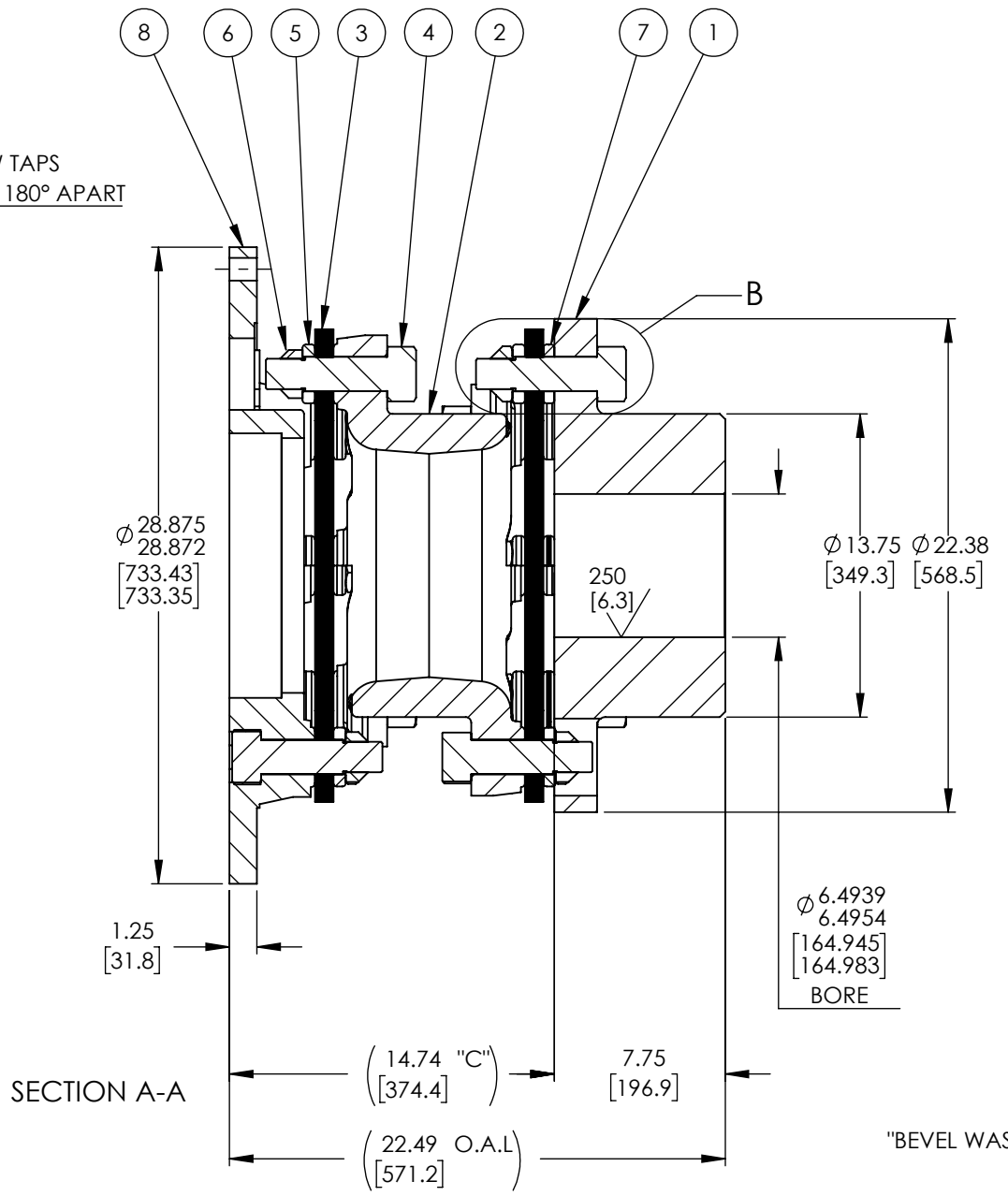


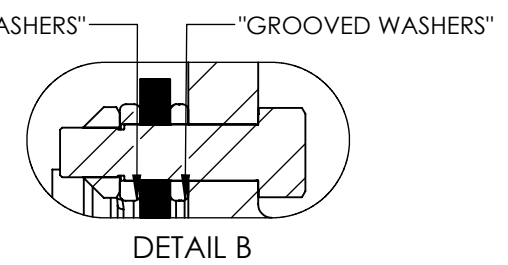
**FLYWHEEL END
Engine
(CAT 3608)
28.875 in - HD**

**HUB END
Compressor
(Ariel JGC/4)
KEYWAY NONE**



- A. TORSIONAL DATA (CALC.)
 WT = 922.5 lbs [418.4 kg]
 $WR^2 = 61948.3 \text{ lbs-in}^2 [18.13 \text{ kg-m}^2]$
 $K_t = 2.04E^{\wedge}8 \text{ in-lbs/rad [2.30E}^{\wedge}7 \text{ Nm/rad]}$
 (BASED ON 1/3 SHAFT PENETRATION FACTOR IN HUB)
- B. COUPLING TORQUE RATINGS
 MAXIMUM CONTINUOUS = 813780 in-lbs [91869 Nm]
 PEAK OVERLOAD = 976536 in-lbs [110243 Nm]
- C. OPERATING DATA
 POWER = 2500 HP [1864.3 kW]
 SPEED = 1000 RPM
 TORQUE = 157563 in-lbs [17804.1 Nm]
 SERVICE FACTOR = 5.16

REFERENCE ONLY:
 SHAFT SIZE: ϕ 6.500/6.499 [165.10/165.08]
 RESULTING SHAFT/BORE INTERFERENCE FIT=0.0036/0.0061 [0.0914/0.155]
 AVAILABLE SHAFT LENGTH=8.25 [209.5]



ASSEMBLY CAUTION NOTE:
 IT IS IMPORTANT THAT ALL LOOSE WASHERS ARE INSTALLED IN THEIR CORRECT POSITION:
 * THE 4 "GROOVED WASHERS" MUST BE INSTALLED BETWEEN HUB FLANGE FACE AND DISC PACK AS SHOWN - SEE "DETAIL B",
 * THE 16 "BEVEL WASHERS" MUST BE INSTALLED ON ALL FLEX JOINT BOLTS (ONE UNDER EACH LOCKNUT) AS SHOWN - SEE "DETAIL B".

ITEM NO.	PART NUMBER	DESCRIPTION	QTY.	MATERIAL	COMMENTS
8	32251-04	ADAPTER	1	DUCTILE IRON	
7	53239	GROOVE WASHER	4	1144 SRA 100 STRESSPROOF	"SEE ASSEMBLY CAUTION NOTE"
6	16522	LOCKNUT	16	IFI GRADE C STEEL	
5	10991	BEVEL WASHER	16	1144 SRA 100 STRESSPROOF	"SEE ASSEMBLY CAUTION NOTE"
4	10990	BOLT	16	SAE GRADE 8	
3	20851	DISC PACK	2	TOMALOY	LAMINATION THK.: 0.820/0.850 [20.83/21.59]
2	30562	CENTERMEMBER	1	ASTM A-27-65 CLASS 70-36 (CAST STEEL)	
1	49391	HUB	1	AISI 1146 OR 1141 OR 1045	

REVISIONS		THIS DOCUMENT CONTAINS CONFIDENTIAL/PROPRIETARY INFORMATION OF REXNORD INDUSTRIES, LLC. NEITHER RECEIPT NOR POSSESSION THEREOF CONFERS ANY OWNERSHIP INTEREST IN RIGHT TO REPRODUCE OR USE, OR DISCLOSE IN WHOLE OR IN PART, ANY SUCH INFORMATION WITHOUT WRITTEN AUTHORIZATION FROM REXNORD INDUSTRIES, LLC. IT IS SUBJECT TO RETURN UPON DEMAND. THESE COMMODITIES, TECHNOLOGY, OR SOFTWARE ARE SUBJECT TO THE UNITED STATES EXPORT REGULATIONS. DIVERSION CONTRARY TO U.S. LAW AND OTHER RELEVANT EXPORT CONTROLS IS PROHIBITED.		 REXNORD COUPLING GROUP WWW.REXNORD.COM THOMAS Flexible Couplings		
THIRD ANGLE PROJECTION	INCH [mm]	DR. DRV_WRKS	9/12/2022	COUPLING ASSEMBLY 800 CMR STANDARD	DRAWING NO. S00107876	REV.
		CHK.			SAP MTL 10613471	SHEET 1 OF 1