

# Why Choose Rex™ Welded Steel Chain?

## LONG-LASTING, EXTREME-DUTY CHAIN

Designed for all welded steel applications, this extreme-duty chain comes standard with all components heat-treated. The chain includes the extra benefit of a long-wearing, selectively induction-heat-treated pin.

## SOLID BARREL AND BUSHING DESIGN ON NARROW-MILL CHAINS

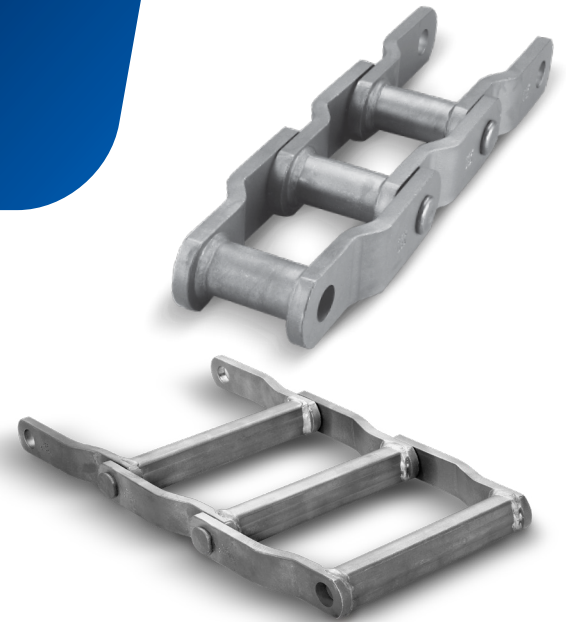
All chains are furnished standard with solid bushings which is a design improvement over split bushings. Solid bushings reduce the amount of debris entering the chain joint thereby improving wear life.

## OPTIMUM INTERFERENCE FITS BETWEEN PIN AND SIDEBAR HOLES

High interference fit creates optimal residual stress in the sidebars, greatly increasing the fatigue strength and life of the chain

## SURFACE “HARD-FACING” AND ATTACHMENTS

Rex hard-faced welded steel chains are designed to create a super-hard wear surface for severe applications such as cement clinker. Regal Rexnord offers various attachment configurations for the hard face chain series.



## INDUSTRIES SERVED

- Cement
- Fertilizer
- Steel
- Power Generation
- Solid Waste Handling
- Mining
- Aggregate
- Forestry



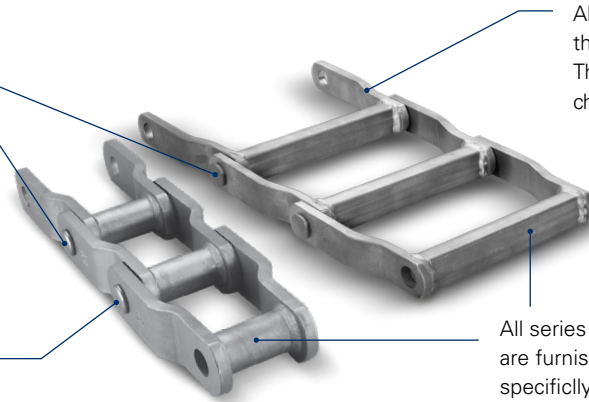
# Why Choose Rex™ Welded Steel Chain?

## REXNORD WELDED STEEL CHAIN

- 22 standard sizes in both narrow- and wide-mill chain are available for quick delivery
- All styles constructed with solid bushing
- Advanced design features are furnished as standard on all chains
- Various attachment configurations are available for hard-face chains
- Optimum interference fits between pin and sidebar
- Selectively induction-hardened pin
- Durable hard-facing and attachments

Narrow- and wide-mill chains come standard with high press fits between the pins and sidebar holes. This feature greatly improves the fatigue life of the chain.

Narrow-mill series chains come standard with a selectively induction-hardened pin. This feature significantly improves the wear life of the chain.



All components are completely through-hardened as standard. This feature greatly enhances chain wear life.

All series of welded steel chains are furnished with solid barrels, specifically designed to extend the performance of the chain.

# Rex™

**Regal Rexnord**

Contact us: [rexnord.com/contact](https://www.rexnord.com/contact)

[regalrexnord.com](https://www.regalrexnord.com)

The proper selection and application of products and components, including assuring that the product is safe for its intended use, are the responsibility of the customer. To view our Application Considerations, please visit <https://www.regalrexnord.com/Application-Considerations>. To view our Standard Terms and Conditions of Sale, please visit <https://www.regalrexnord.com/Terms-and-Conditions-of-Sale>

"Regal Rexnord" is not indicative of legal entity. Refer to product purchase documentation for the applicable legal entity. Regal Rexnord and Rex are trademarks of Regal Rexnord Corporation or one of its affiliated companies. © 2011, 2023, 2025 Regal Rexnord Corporation, All Rights Reserved. MCF-EC5-001E-RX-EN-US 06/25

**Regal Rexnord™**