

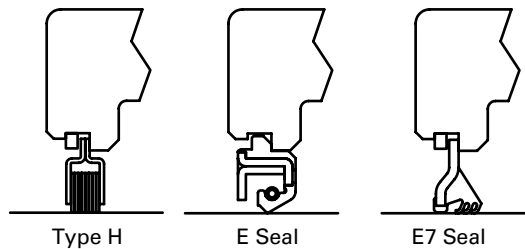
# LINK-BELT® B22500 SERIES ROLLER BEARING



When equipment goes down you lose money — plain and simple. Link-Belt B22500 Series Roller Bearing was designed to maximize uptime and minimize changeover time so you can keep your equipment and your profits going strong.

### GENERAL BEARING INFORMATION

- Housings — Powder Coated Cast Iron
- Grease — Multi-purpose lithium complex
- Standard Seal:
  - **Type H** — Floating labyrinth seals have multiple self-centering rings held securely in a steel carrier. Type H seals are normally furnished.



### AVAILABLE OPTIONS

- Optional seals:
  - **E Seal** — Spring loaded lip seals provide uniform pressure for maintaining contact with the inner ring. Typically used for liquid splash environments.
  - **E7 Seal** — Triple lip seal with metal outboard guard for severe applications. The metal guard protects the inner seal lips from abrasion and damage.
- Special grease
- End closures

### DYNAMIC AND STATIC MISALIGNMENT CAPABILITIES +/- 4 DEGREES

Reduces failures caused by installation or running misalignment

### THREADED COVER DESIGN

- Field adjustable clearances
- One bearing for multiple applications

### POLYESTER POWDER-COATED HOUSING

Protects bearing against corrosive and abrasive elements

### BARREL SHAPED ROLLER ELEMENTS

High speed and load capabilities

### Key Industries:

Cement/Aggregate  
Forest Products  
Mining  
Steel

### Housing Options:

- Type E 2- and 4-bolt pillow blocks
- Type E flange blocks
- Flange cartridge blocks
- Cartridge blocks
- Take-ups
- Fixed
- Float (3/8 inch)

### Shaft Sizes:

1 7/16–5 inch

### Shaft Tolerance Recommendations:

- 1–2 inch nominal to 0.0005 inch tolerances
- 2 1/16–4 inch nominal to 0.001 inch tolerances
- 4 1/16–5 inch nominal to 0.0015 inch tolerances

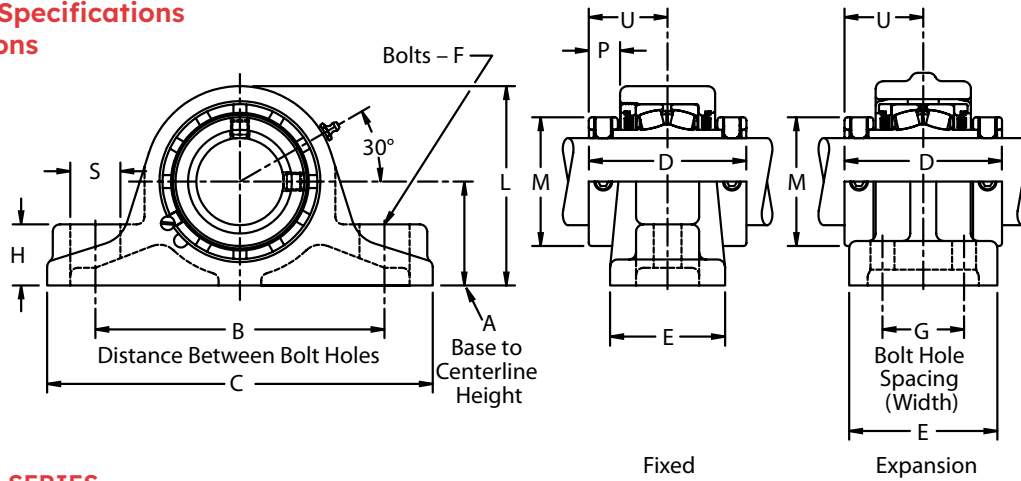
### Mounting Type:

Double set collar



# LINK-BELT® B22500 SERIES ROLLER BEARING

## Nomenclature & Specifications Bearing Dimensions



### LINK-BELT B22500 SERIES

Size Code	Shaft Diameter	Expansion		Fixed		A Base to Centerline Height	B Distance Between Bolt Holes	G Bolt Hole Spacing (Width)	C	D	E	F	H	M	P	S	U	Approx. Weight
		Part Number	L	Part Number	L													
<b>Two-Bolt Pillow Block</b>																		
B524	1 7/16	PEB22523H	4 11/32	PB22523H	3 31/32	2 1/8	5 7/8	-	8 1/8	3 9/16	2 7/16	1/2	1 1/8	2 5/16	11/16	1 1/8	1 25/32	10.00
B528	1 11/16	PEB22527H	4 13/16	PB22527H	4 7/16	2 5/16	6 1/2	-	9	3 13/16	2 13/16	1/2	1 5/16	2 19/32	23/32	1 1/4	1 29/32	12.00
B531	1 15/16	PEB22531H	4 15/16	PB22531H	4 3/4	2 1/2	7	-	9 3/4	3 13/16	2 7/8	5/8	1 7/16	2 7/8	23/32	1 1/4	1 29/32	14.00
B536	2	PEB22532H	5 23/32	PB22532H	5 1/4	2 3/4	7 1/2	-	10 1/4	4 1/8	3 1/8	5/8	1 5/8	3 1/4	25/32	1 1/4	2 1/16	21.00
	2 3/16	PEB22535H	5 23/32	PB22535H	5 1/4	2 3/4	7 1/2	-	10 1/4	4 1/8	3 1/8	5/8	1 5/8	3 1/4	25/32	1 1/4	2 1/16	20.00
B540	2 7/16	PEB22539H	6 3/16	PB22539H	5 3/4	3	8 1/4	-	11 1/4	4 3/8	3 3/8	3/4	1 3/4	3 9/16	13/16	1 3/8	2 3/16	24.00
B548	2 11/16	PEB22543H	7 3/16	PB22543H	6 23/32	3 1/2	9 3/4	-	13	4 7/8	3 7/8	7/8	2 1/16	4 1/16	29/32	1 5/8	2 7/16	39.00
	2 15/16	PEB22547H	7 3/16	PB22547H	6 23/32	3 1/2	9 3/4	-	13	4 7/8	3 7/8	7/8	2 1/16	4 1/16	29/32	1 5/8	2 7/16	37.00
<b>Four-Bolt Pillow Block</b>																		
B531	1 15/16	PEB22531FH	4 7/8	PB22531FH	4 7/8	2 1/2	7	2 1/4	9	3 13/16	3 13/16	1/2	1 11/16	2 7/8	23/32	7/8	1 29/32	16.00
B536	2	PEB22532FH	5 15/32	PB22532FH	5 15/32	2 3/4	7 1/2	2 1/4	9 15/16	4 1/8	4	1/2	2	3 1/4	25/32	1 1/8	2 1/16	22.00
	2 3/16	PEB22535FH	5 15/32	PB22535FH	5 15/32	2 3/4	7 1/2	2 1/4	9 15/16	4 1/8	4	1/2	2	3 1/4	25/32	1 1/8	2 1/16	22.00
B540	2 7/16	PEB22539FH	5 7/8	PB22539FH	5 7/8	3	8 5/8	2 5/8	10 5/8	4 3/8	4 3/8	1/2	2 1/8	3 9/16	13/16	1 1/8	2 3/16	26.00
B548	2 11/16	PEB22543FH	6 15/16	PB22543FH	6 15/16	3 1/2	9 3/4	2 3/4	12 5/8	4 7/8	4 3/4	5/8	2 5/16	4 1/16	29/32	1 1/2	2 7/16	38.00
	2 15/16	PEB22547FH	6 15/16	PB22547FH	6 15/16	3 1/2	9 3/4	2 3/4	12 5/8	4 7/8	4 3/4	5/8	2 5/16	4 1/16	29/32	1 1/2	2 7/16	36.00
B556	3 7/16	PEB22555FH	8	PB22555FH	8	4	11 1/2	3	14 1/4	5 5/16	5	3/4	2 1/2	4 29/32	15/16	1 1/2	2 21/32	56.00
B564	3 15/16	PEB22563FH	8 13/16	PB22563FH	8 13/16	4 7/16	12 1/4	3 3/8	15 5/8	6 1/8	5 5/8	7/8	2 7/8	5 5/8	1 1/16	1 13/16	3 1/16	76.00
	4	PEB22564FH	8 13/16	PB22564FH	8 13/16	4 7/16	12 1/4	3 3/8	15 5/8	6 1/8	5 5/8	7/8	2 7/8	5 5/8	1 1/16	1 13/16	3 1/16	76.00
B572	4 3/16	PEB22567YFH	9 3/8	PB22567YFH	9 3/8	4 3/4	13 1/2	2 1/2	16 1/2	6 1/4	4 5/8	3/4	2 3/4	6 3/16	1	1 3/8	3 1/8	92.00
	4 7/16	PEB22571YFH	9 3/8	PB22571YFH	9 3/8	4 3/4	13 1/2	2 1/2	16 1/2	6 1/4	4 5/8	3/4	2 3/4	6 3/16	1	1 3/8	3 1/8	88.00
	4 1/2	PEB22572YFH	9 3/8	PB22572YFH	9 3/8	4 3/4	13 1/2	2 1/2	16 1/2	6 1/4	4 5/8	3/4	2 3/4	6 3/16	1	1 3/8	3 1/8	87.00
	110.00	PEB225M110YFH	238.10	PB225M110YFH	238.10	120.65	342.90	63.50	419.10	158.75	117.48	20.00	69.80	157.16	25.40	34.90	79.37	40.70
115.00	PEB225M115YFH	238.10	PB225M115YFH	238.10	120.65	342.90	63.50	419.10	158.75	117.48	20.00	69.80	157.16	25.40	34.90	79.37	39.50	
B580	4 15/16	PEB22579YFH	11 1/8	PB22579YFH	11 1/8	5 1/2	15 1/2	2 3/4	18 1/2	7 7/8	5 9/16	7/8	3	7 1/16	1 5/32	1 1/2	3 15/16	129.00
	5	PEB22580YFH	11 1/8	PB22580YFH	11 1/8	5 1/2	15 1/2	2 3/4	18 1/2	7 7/8	5 9/16	7/8	3	7 1/16	1 5/32	1 1/2	3 15/16	128.00
	125.00	PEB225M125YFH	282.57	PB225M125YFH	282.57	139.70	393.70	69.80	469.90	200.02	141.34	24.00	76.20	179.38	29.37	38.10	100.01	58.10



## Industrial Powertrain Solutions Regal Rexnord

Contact us: [regalrexnord.com/contact](https://www.regalrexnord.com/contact)

[regalrexnord.com](https://www.regalrexnord.com)

The proper selection and application of products and components, including assuring that the product is safe for its intended use, are the responsibility of the customer. To view our Application Considerations, please visit <https://www.regalrexnord.com/Application-Considerations>. To view our Standard Terms and Conditions of Sale, please visit <https://www.regalrexnord.com/Terms-and-Conditions-of-Sale> (which may redirect to other website locations based on product family).

\*Regal Rexnord\* is not indicative of legal entity. Refer to product purchase documentation for the applicable legal entity.

Regal Rexnord and Link-Belt are trademarks of Regal Rexnord Corporation or one of its affiliated companies.

© 2012, 2023 Regal Rexnord Corporation, All Rights Reserved. MCSPP23081E • Form# 081-040E

